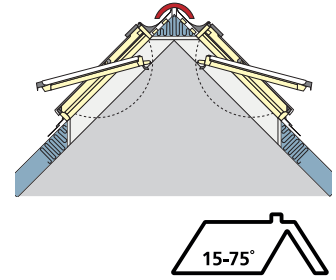


Ridge Windows Window Systems

Keylite Ridge Roof Windows may be installed along the roof ridge to maximise light and space at the highest point of pitched ceilings.



Features

- ▶ **Complete Kit** - Within the Keylite Ridge Window System the following are included:
 - ▶ All associated Keylite Ridge Window flashings required
 - ▶ Roof windows of your choice.
- ▶ **Flexibility** - The Keylite Ridge Window System is available throughout the entire Keylite Roof Window range.
- ▶ **Futuretherm Technology** - All Keylite Ridge Window Systems are now provided with Keylite's new innovative Futuretherm Technology.
- ▶ **Appearance** - Keylite's unique flashing system results in the ridge line of the property remaining intact throughout the span of the roof.
- ▶ **Operation** - Usually installed in out of reach locations, these roof windows may be electrically operated by hand-held remote or a wall mounted switch.

Guarantee

- ▶ **10 Years** - Keylite's hassle free guarantee on windows, insulated upstand and all associated flashings.
- ▶ **3 Years** - Keylite's hassle free guarantee on blinds, accessories and electrics.

Application

- ▶ Keylite recommend installing the window so that the top frame is between 1.85 - 2.20m above the floor for ease of operation. For installation of roof windows above 2.2m Keylite also recommend electrical operation and a laminated inner pane.

Maintenance

- ▶ The glazing pane of a Keylite Roof Window can be cleaned with a soft, clean cloth/ chamois or non-metal squeegee. Clean water will be sufficient for cleaning the pane. The sash can be rotated through 180° where the outer pane can become available for cleaning once locked in position using the plastic locking mechanism located along the top of the sash.

Installation and Accessory Products

- ▶ **Flashings**
 - Single Ridge (RG)
 - Double Ridge (DRG)
 - Triple Ridge (TRG)
- ▶ **Blinds**
 - Integral Blind (I)
 - Dim out Blind (D)
 - Black out Blind (B)
- ▶ **Accessories**
 - 2 metre window pole (WP2)
 - 3 metre window pole (WP3)
 - Solar electric kit (SPEK)
 - Premium electric kit (PEK)
 - Standard electric kit (SEK)
 - Opening restrictor (OR)
 - Security lock (SL)

Finish Options

- ▶ **Interior** - Pine (T)
White (W)
- ▶ **Exterior** - Grey
Conservation (CW)



Single

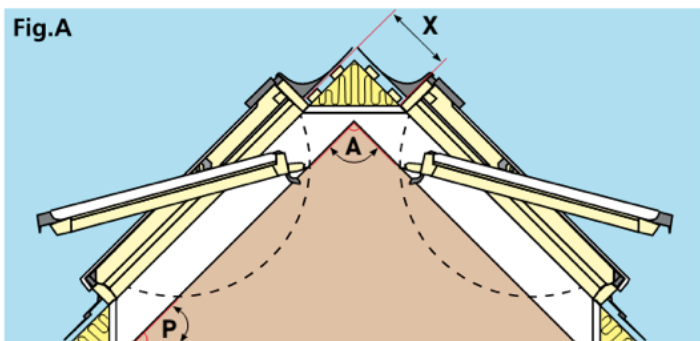


Double



Window Sizes (WxH)	780x1180	780x1400	1660x1180	1660x1400
Keylite Product Code	RG-05	RG-06	DRG-05	DRG-06

Technical Information



One Vital dimension determines what size of roof window can be used on the pitch of your roof. This is ridge dimension "x" (fig.A & table below). This is the distance from your frame top to the upper side of the battens on the opposite roof surface.

Please see table below that will determine the position of your roof window from the top of the ridge.

Standard Keylite flashing required

Keylite ridge flashing required



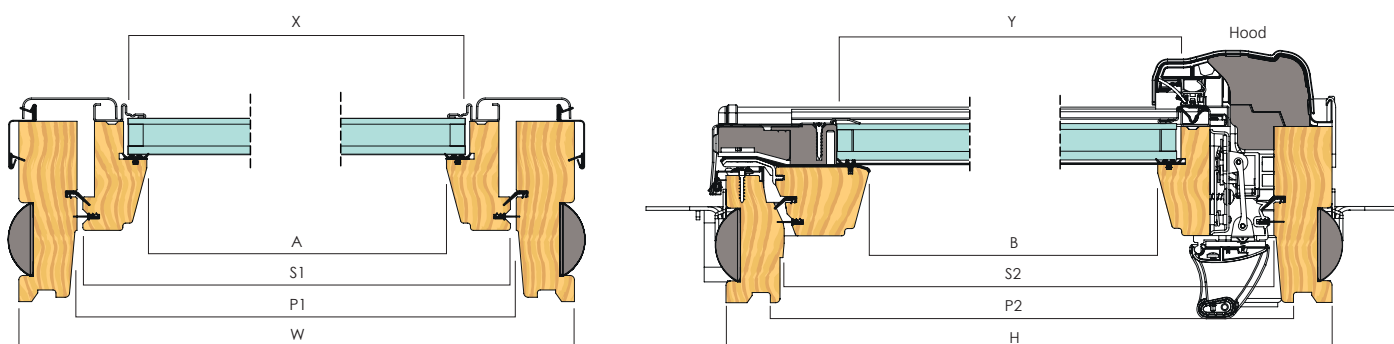
NB
When windows installed close to ridge they must be positioned in a way that allows them to open without the sashes colliding. Please refer to the table below.

Roof Pitch* "P"	Roof Angle "A"	Window length (mm)				
		780	980	1180	1400	1600
X = Distance From Ridge (mm)						
20°	140°	80	80	80	80	80
25°	130°	80	80	80	80	80
30°	120°	80	80	80	80	80
35°	110°	80	80	80	80	100
40°	100°	80	80	80	120	140
45°	90°	80	80	120	180	200
50°	80°	80	120	180	260	280**
55°	70°	100	180	260	300**	380**
60°	60°	140	260	280**	450**	530**

**Windows that are 280mm or more down from the ridge can be fitted using Standard Keylite Flashings. Windows that are less than 280mm will have to be fitted with the Keylite Ridge Flashings. Please specify Tile, Slate or Plain Tile Flashings when placing your order. (Plain Tile = TRF). Also available for Top Hung and Conservation Windows.

Window Type	Window Size	External Frame Size		Sash Size		Glazing Size		Visible Glazing Size		Internal Reveal Size		Natural Daylight Area	Equivalent Ventilation Area	Structural Opening Size Required	
		(mm)		(mm)		(mm)		(mm)		(mm)				(m ²)	(mm ²)
		W	H	S1	S2	X	Y	A	B	P1	P2	W	H		
RG	01	550	780	460	690	396	593	370	558	496	720	0.206	3,337	590	820
RG	02	550	980	460	890	396	793	370	758	496	920	0.280	3,337	590	1020
RG	01C	550	1180	460	1090	396	993	370	958	496	1120	0.354	3,337	590	1220
RG	03	660	1180	570	1090	506	993	480	958	606	1120	0.460	4,005	700	1220
RG	04	780	980	690	890	626	793	600	758	726	920	0.455	4,733	820	1020
RG	05	780	1180	690	1090	626	993	600	958	726	1120	0.575	4,733	820	1220
RG	06	780	1400	690	1310	626	1213	600	1178	726	1340	0.707	4,733	820	1440
RG	07F	940	1400	850	1310	786	1213	760	1178	886	1340	0.895	5,704	980	1440
RG	07	940	1600	850	1510	786	1413	760	1378	886	1540	1.047	5,704	980	1640
RG	08	1140	1180	1050	1090	986	993	960	958	1086	1120	0.920	6,917	1180	1220
RG	09	1340	980	1250	890	1186	793	1160	758	1286	920	0.879	8,131	1380	1020
RG	10	1340	1400	1250	1310	1186	1213	1160	1178	1286	1340	1.366	8,131	1380	1440
RG	01F	550	1400	460	1310	396	1213	370	1178	496	1340	0.436	3,337	590	1440
RG	01G	550	1600	460	1510	396	1413	370	1378	496	1540	0.510	3,337	590	1640
RG	03A	660	780	570	690	506	593	480	558	606	720	0.268	4,005	700	820
RG	03B	660	980	570	890	506	793	480	758	606	920	0.364	4,005	700	1020
RG	03F	660	1400	570	1310	506	1213	480	1178	606	1340	0.565	4,005	700	1440
RG	03G	660	1600	570	1510	506	1413	480	1378	606	1540	0.661	4,005	700	1640
RG	04A	780	780	690	690	626	593	600	558	726	720	0.335	4,733	820	820
RG	04G	780	1600	690	1510	626	1413	600	1378	726	1540	0.827	4,733	820	1640
RG	07A	940	780	850	690	786	593	760	558	886	720	0.424	5,704	980	820
RG	07B	940	980	850	890	786	793	760	758	886	920	0.576	5,704	980	1020
RG	07C	940	1180	850	1090	786	993	760	958	886	1120	0.728	5,704	980	1220
RG	08A	1140	780	1050	690	986	593	960	558	1086	720	0.536	6,917	1180	820
RG	08B	1140	980	1050	890	986	793	960	758	1086	920	0.728	6,917	1180	1020
RG	08F	1140	1400	1050	1310	986	1213	960	1178	1086	1340	1.131	6,917	1180	1440
RG	08G	1140	1600	1050	1510	986	1413	960	1378	1086	1540	1.323	6,917	1180	1640
RG	09A	1340	780	1250	690	1186	593	1160	558	1286	720	0.647	8,131	1380	820
RG	09C	1340	1180	1250	1090	1186	993	1160	958	1286	1120	1.111	8,131	1380	1220
RG	09G	1340	1600	1250	1510	1186	1413	1160	1378	1286	1540	1.598	8,131	1380	1640

Cross Section



GB

Unit 3 Gateway Road, Burton Gateway,
Burton upon Trent, DE13 8FL

NI & ROI

KG2, Ballyreagh Industrial Est. Sandholes
Road, Cookstown, Co. Tyrone, BT80 9DG

T: +44 (0) 28 8676 7512
E: technicalsupport@keylite.co.uk