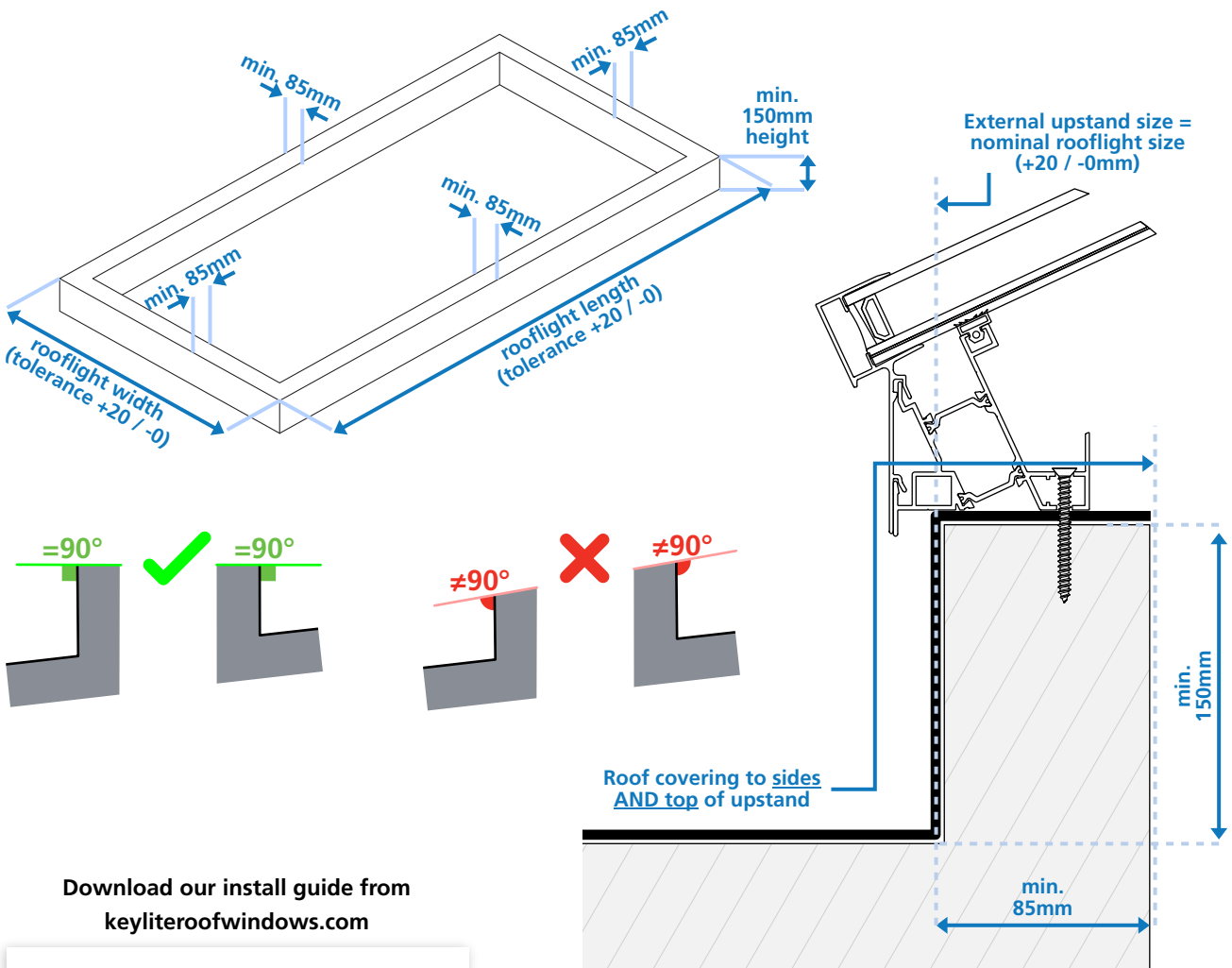


Construct finished, insulated and weathered builder's upstand to dimensions shown.

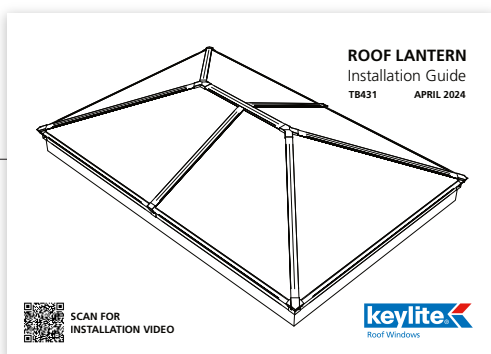
Roof covering must cover **side and top** of insulated upstand in accordance with manufacturer's installation recommendations. There should be no excessive build-up of layers, and the top surface should be level and free from protrusions or projections which may prevent adequate weatherproofing.

Rooflight size is equal to external builders upstand size, with a tolerance of +20mm/-0mm. For example, for a 2000mm x 1000mm Lantern, the external builders upstand should measure 2000-2020mm long x 1000-1020mm wide.

Keylite Roof Lanterns are intended for installation onto a fully weathered and insulated builder's upstand on flat and low pitch roofs. The surface of flat roofs normally require some degree of pitch to ensure adequate water runoff. For aesthetic reasons we recommend that the upstand is built with 0° pitch i.e. not parallel with the pitched roof surface. The rooflight can accommodate being installed on an upstand with a pitch of up to 5° but please note that this will likely result in a 'lopsided' appearance.



Download our install guide from  
[keyliterateofwindows.com](http://keyliterateofwindows.com)



[keyliterateofwindows.com](http://keyliterateofwindows.com)

① **TECHNICAL SUPPORT:** For any technical information/queries please contact your supplier. The manufacturer operates a policy of continuous product improvement, and reserves the right to alter specifications at any time without notice. Every effort has been taken to ensure all details contained in this document are correct at the time of going to press but this document should be used only as a guide and does not in any way form part of a contract or warranty. It is the customer's responsibility to ensure that the product is suitable for the actual conditions of use, which are beyond the control of the manufacturer.

**GB**  
 Unit 3 Gateway Road, Burton Gateway,  
 Burton upon Trent, DE13 8FL

T: +44 (0) 1283 200 158  
 E: [sales@keyliteuk.com](mailto:sales@keyliteuk.com)

**NI & ROI**  
 KG2, Ballyreagh Industrial Est. Sandholes  
 Road, Cookstown, Co. Tyrone, BT80 9DG

T: +44 (0) 28 8675 8921  
 E: [info@keylite.co.uk](mailto:info@keylite.co.uk)