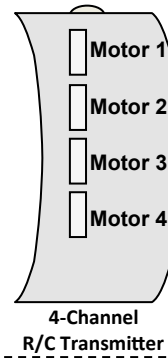


- TF24R Control Panel
- R/C Transmitter
- Rain Sensor
- (Rain sensor not required for blind operation only)
- V3 – 19.09.11

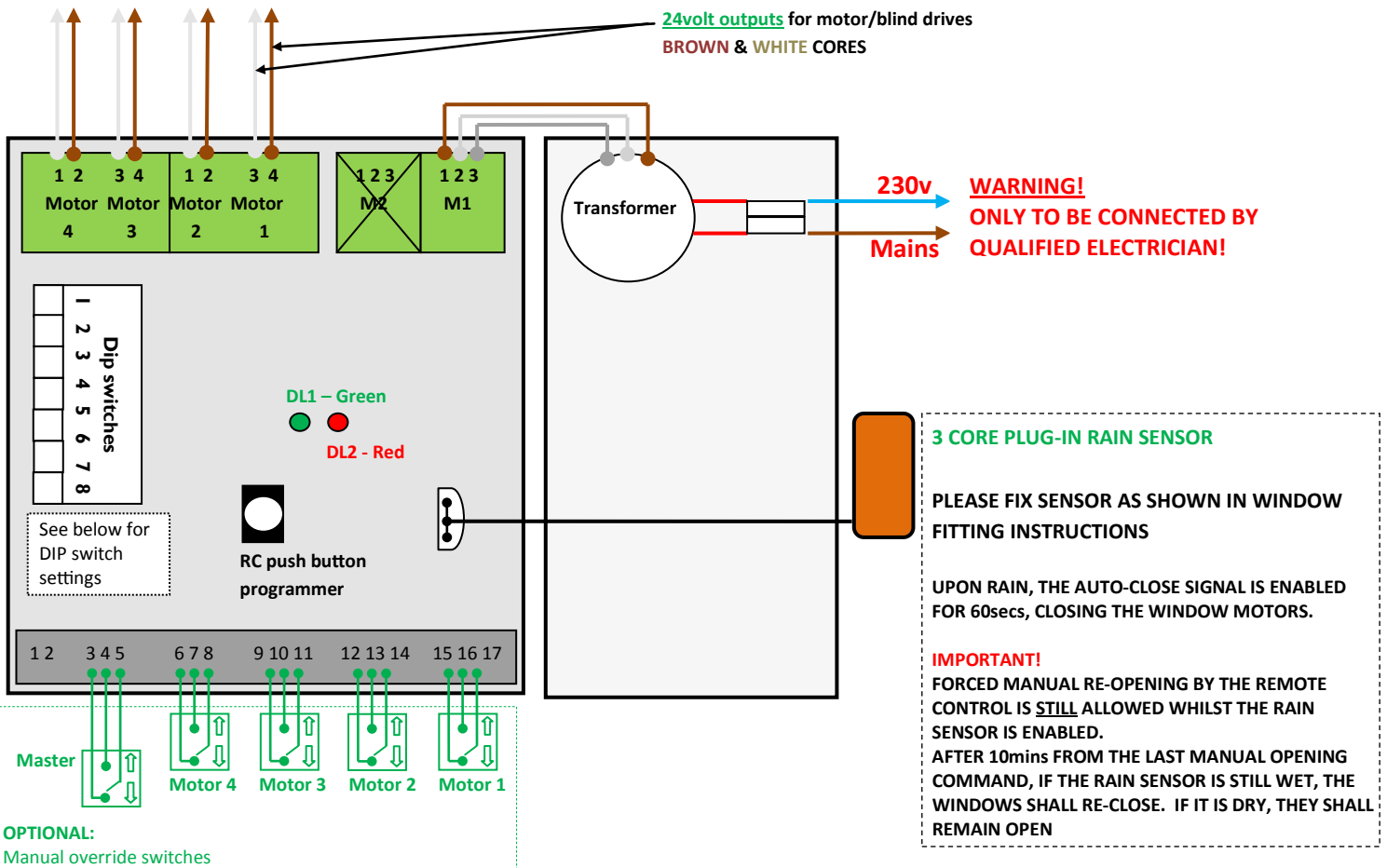
REMOTE CONTROL PROGRAMMING

- Push and hold down the RC button in panel until the **red DL2 LED** is lit then release button.
- Push any button on hand held remote control until red LED turns off then release button
- Push any button on hand held remote control until red LED begins to flash.
- RC has been programmed.
- To delete all of the programming, press and hold the white RC button, which will light, flash and then extinguish – then release the button. Leave for 10 seconds before re-programming



4	3	2	Motor1	WINDOWS ONLY
4	3	2	Blind 1	BLINDS ONLY (NO RAIN SENSOR)
2	Blind 1	2	Motor 1	WINDOWS & BLINDS

Motor Types :
Window Motors can be connected into any of the 4 Motor outputs
If running Window Motors and Blind motors off the same panel, Blind Motors can only be connected into the **Motor 3 and Motor 4** outputs.

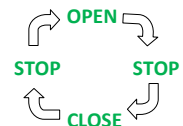


The TF24R control panel can be used for a range of different operations, from operating 1 electric window and/or electric blind to 4 windows or 4 blinds.

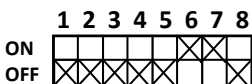
TRANSMITTER OPERATION:

The remote control transmitter operates the motors as shown – eg Motor 1 button operates Motor 1. Motor 2 button operates Motor 2 etc etc.

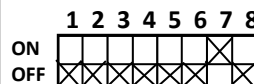
The transmitter buttons work on one touch open, one touch stop, one touch close, one touch stop. They always work in this cycle. Even when the motors have been powered open fully and automatically stopped, you must still press the button (“internal stop”) and then press once more to close.
Even when the motors have been powered closed fully and automatically stopped, you must still press the button (“internal stop”) and then press once more to open.



DIP SWITCHES FOR WINDOW MOTORS ONLY



DIP SWITCHES FOR BLIND MOTORS ONLY DIP SWITCHES FOR WINDOW & BLIND MOTORS



**THE INSTALLATION OF THIS SYSTEM MUST ONLY BE CARRIED OUT BY A QUALIFIED ELECTRICIAN.
THE GUARANTEE WILL BE VOIDED IF THIS IS NOT FOLLOWED.**