

These instructions refer only to the installation of the roof flashing unit. Please refer to the guidance on Planning and Layout as described in the Sun Lite™ Tubular Rooflight fixing instructions.

Initial work in the roof void

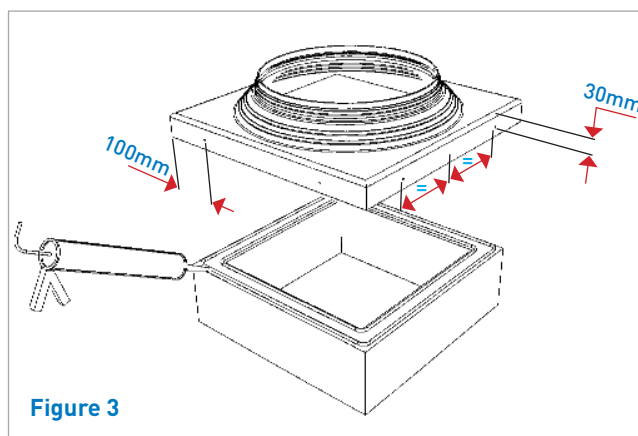
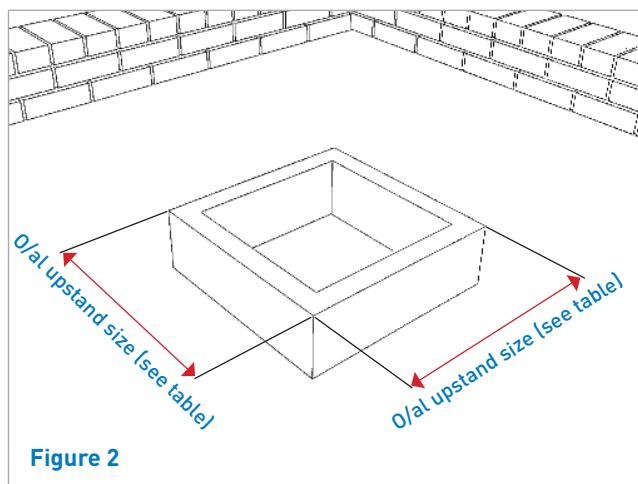
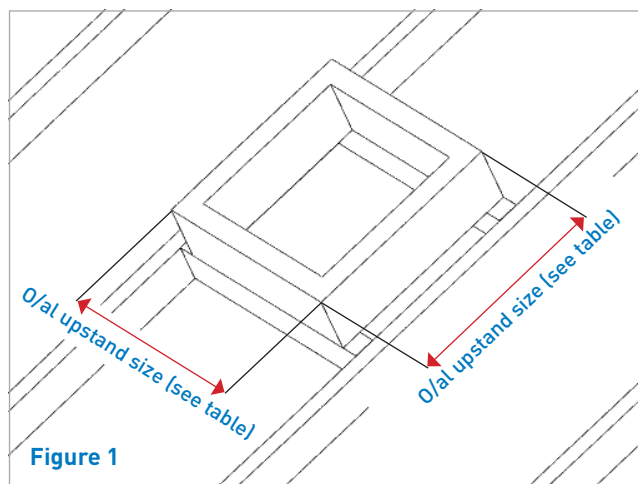
1. From inside the loft space mark the centre point for the desired location of the tube on the underside of the roof construction.
2. In order to locate the position when on the roof, drill a small hole through the underside of the roof construction / underlay and insert a piece of dowel or a screw as a guide.
3. The remainder of the installation work for the roof mounting unit will need to be carried out on the roof. You may find it useful to take some reference measurements of the position of the marker to aid finding its location when on the roof.

External Installation Procedure

4. Locate the intended installation (if necessary by using the reference measurements as suggested in step 3 above). For existing pitched roofs, remove the roof covering in the area to expose the dowel or screw marker inserted earlier.
5. A site fabricated upstand will need to be formed in the roof onto which to mount the unit. For pitched roofs the top of the upstand can either be parallel with the plain of the roof or can be set to a horizontal orientation (like a conventional chimney). The upstand should be adequately supported by the roof structure and must be properly flashed and weathered to the roof covering. The finished upstand must conform to the following dimensions:

*This will require timber no larger than 38mm to achieve this.

Sun Lite™ System	External (max)	Internal (min)
250mm	380 x 380mm	280 x 280mm
350mm	480 x 480mm	380 x 380mm
530mm	640 x 640mm*	555 x 555mm*



(Figures 1 & 2) When an insulated upstand is supplied, the roof deck opening should not exceed the dimensions in the last column above.

6. Once the upstand is installed and weathered, trial fit the Universal Top to ensure that it seats correctly and mark the fixing hole locations on the vertical side faces. Ideally the fixing holes should be positioned 30mm down from the top edge (12mm for insulated upstands) and be 50mm in from the corners. For 530mm systems, each side should have an additional centre fixing.

7. Check that the fixing positions will coincide with a sound bearing area on the upstand and then drill suitable pilot holes through the fixing locations.

8. Remove the top and clean any swarf or debris from the upstand. Then apply a continuous bead of mastic sealant all around the top surface of the upstand (Figure 3).

9. Replace the unit, ensuring it is correctly aligned with the previously drilled holes and press down firmly to ensure that the mastic bed is compressed. Carefully drill through the pilot holes in the top to provide sufficient clearance for the fixings being used.

10. Finally, insert the fixings and tighten against the upstand, ensuring that they are secure but take care not to overtighten (Figure 4).

11. Now refer to the main fixing instruction to continue with the Sun Lite™ installation.

Glazing Dome for 350 and 530mm systems

The 530mm glazing top sits directly on top of a builders kerb. This can also be specified for 350mm systems to retain the same aesthetic appearance.

1. Follow points 1 to 5 overleaf.

2. Trial fit the glazing dome and starter tube interface plate to ensure that they seat correctly on top of the kerb. Check that the predrilled fixing positions coincide with a sound bearing area then drill suitable pilot holes through the fixing locations.

3. Fix to the kerb by means of security screws and cover caps supplied (Figure 6).

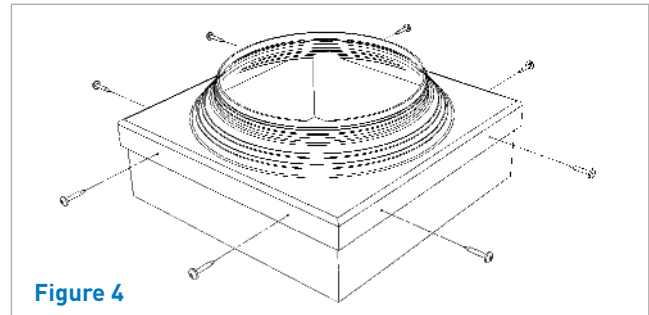


Figure 4

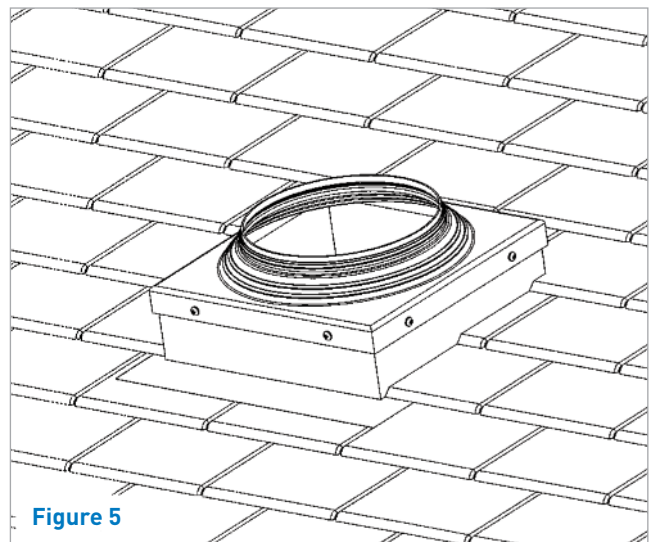


Figure 5

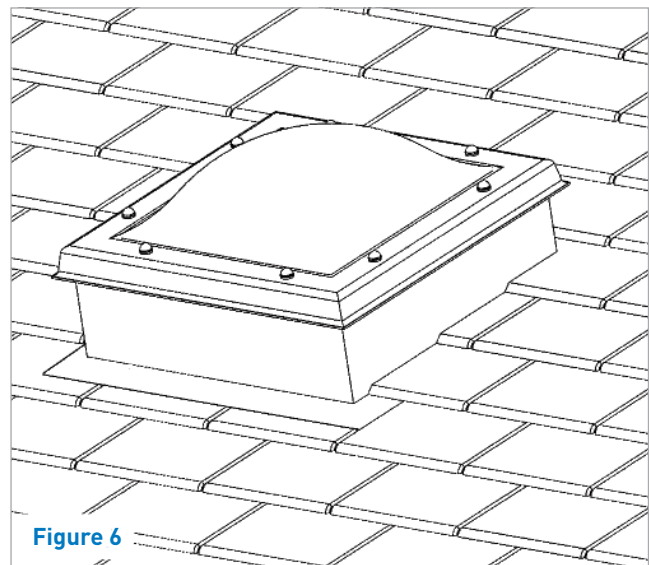


Figure 6

Our Guarantee is valid only when the Flashing Unit is fitted according to these instructions.

Keylite Roof Windows Ltd.,
Derryloran Ind. Est.,
Sandholes Road, Cookstown,
Co. Tyrone BT80 9LU

Tel: 028 8675 8921
Fax: 028 8675 8923

E-mail: info@keylite.co.uk
Website: www.keylite.co.uk

Keylite Roof Windows Ltd.,
Ryder Close, Cadley Hill Ind. Est.,
Swadlincote,
South Derbyshire DE11 9EU

Tel: 01283 200150
Fax: 01283 223352

E-mail: info@keyliteuk.com
Website: www.keylite.co.uk