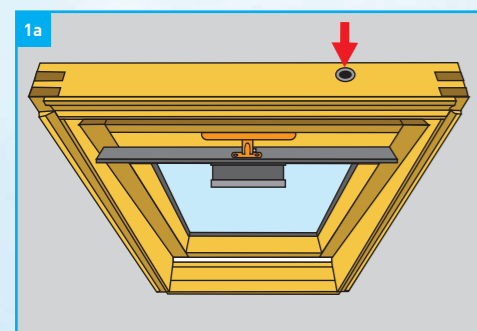


### Safety Precautions:

Please ensure the following precautions are taken when using any of the products:

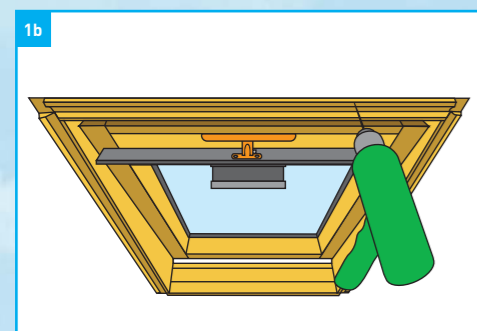
1. Disconnect the main electrical supply before carrying-out any work.
2. Ensure no forces act on the switch terminals after installation.
3. **NB. There is a danger to life and risk of injury with electrically operated windows!**  
The window motor stops by an electronic 'limit stop' or 'overload cut-off'. The resulting forces are strong enough to crush body parts. Please attach the safety sticker to be clearly visible on the frame of the roof window. Please ensure that occupants are aware that the window can be closed automatically or by a remote switch.
4. We recommend only a suitably qualified electrician should install and connect all electrical devices.

### Installation Procedures:

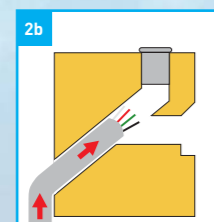
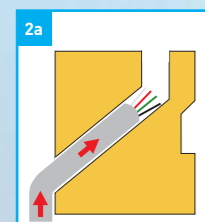
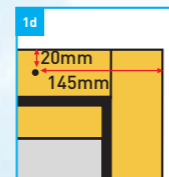
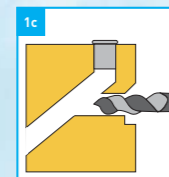


If the interior ceiling is not finished, the cable can be passed through the pre-drilled hole by removing the thimble (fig 1a).

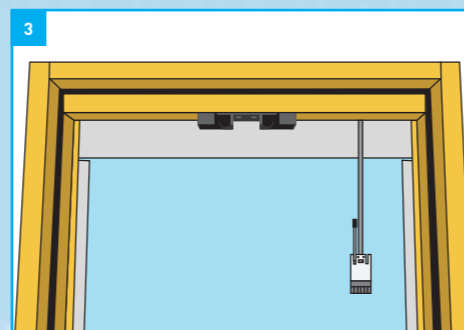
**Please note: All Installation Procedures are viewed from inside the room.**



If the ceiling is finished a 10mm hole must be drilled through the top of the frame (figs 1b, 1c & 1d), 20mm down from top and 145mm in from the side of the frame.



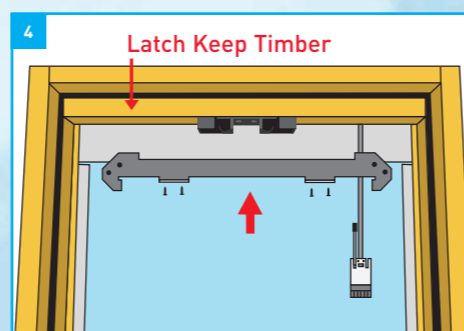
Feed the cable up through the hole (fig. 2a or 2b).



Please make sure there is approximately 500mm of cable remaining in the room (fig 3).

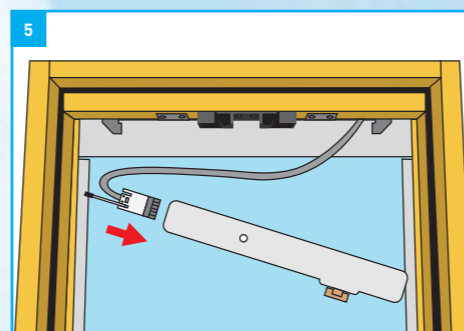
**NB. If your kit contains a rain sensor it should be connected and fitted at this stage. (Please follow rain sensor instructions overleaf.)**

Now ensure all components are correctly wired up as per wiring diagram supplied with your kit.



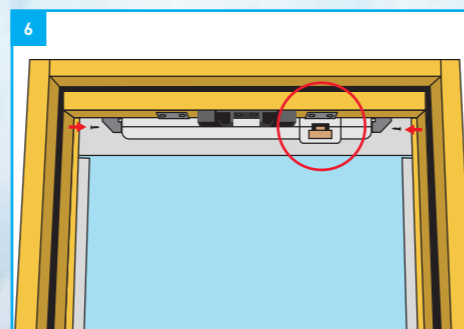
**NB. If your kit contains a wall mounted switch it should be connected and fitted at this stage. (Please follow wiring diagram supplied with your kit.)**

Attach the motor mounting bracket to the latch keep timber using 4 No. 25mm screws (fig 4). Centre the bracket on either side of the latch keep.

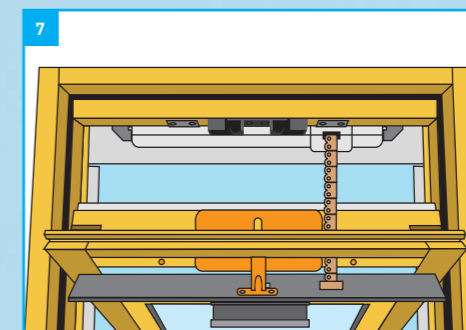


Plug the cable into the motor, ensuring that it is fully connected (fig 5).

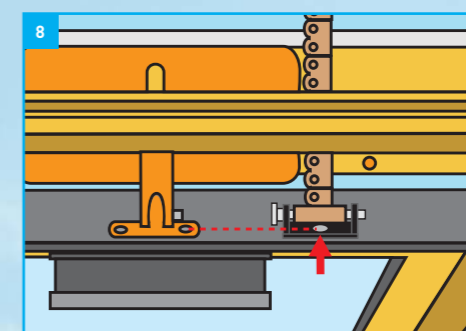
**NB. If your kit contains a remote control it should be programmed at this stage. (Please follow programming instructions as per wiring detail.)**



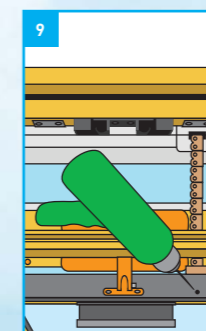
Fix the motor using 2 No. shoulder bolts. Ensure that the chain connector is facing inwards to the right of the latch keep (circled in fig 6). Once the motor is securely in position, feed the excess cable back up through the top of the frame.



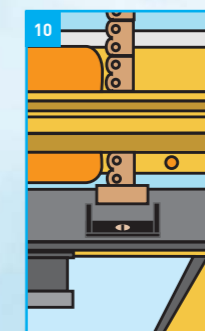
In order to attach the sash to the motor, fully extend the chain connector by pressing the down-arrow button on the wall mounted switch (fig 7). If you have opted not to fit a wall mounted switch you will then have to activate it using your remote control.



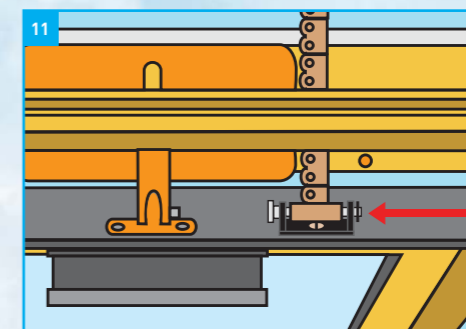
Once the chain is fully extended, use the connector bar to attach the chain to the vent flap bracket. Ensuring that you keep the chain straight, line up the vent flap bracket as shown (fig 8) and mark.



Drill a 5mm hole through the vent flap (fig 9).



Attach the vent flap bracket using 1 No. 16mm bolt and dome head nut (fig 10).



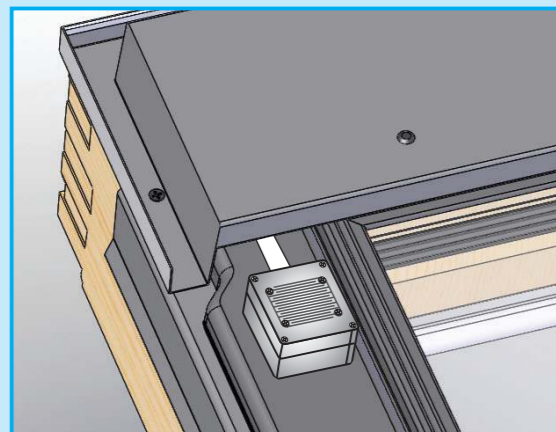
Feed the connector bar through the vent flap bracket and the chain connector. Secure with the cotter pin (fig 11).



### Rain Sensor

Please note that the connections inside the rain sensor have already been completed so the sensor does not need to be opened.

Place the rain sensor on the C-channel of the window as shown then feed the cable under the hood and connect as per wiring detail.



Contact us to request your **FREE Blinds brochure.**

Our Guarantee is valid only when the kits are fitted according to these instructions.

Keylite Roof Windows Ltd.,  
Derryloran Ind. Est.,  
Sandholes Road, Cookstown,  
Co. Tyrone BT80 9LU  
Tel: 028 8675 8921  
Fax: 028 8675 8923

E-mail: [info@keylite.co.uk](mailto:info@keylite.co.uk)  
Website: [www.keylite.co.uk](http://www.keylite.co.uk)

Keylite Roof Windows Ltd.,  
Ryder Close, Cadley Hill Ind. Est.,  
Swadlincote,  
South Derbyshire DE11 9EU  
Tel: 01283 200150  
Fax: 01283 223352

E-mail: [info@keyliteuk.com](mailto:info@keyliteuk.com)  
Website: [www.keylite.co.uk](http://www.keylite.co.uk)

Keylite Roof Windows Ltd.,  
Unit 30, Rosemount Business Park,  
Ballycoolin Road,  
Finglas, Dublin 11  
Tel: 01 822 3333  
Fax: 01 822 3366

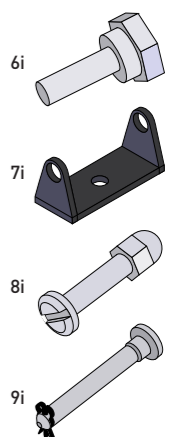
E-mail: [info@keylite.ie](mailto:info@keylite.ie)  
Website: [www.keylite.ie](http://www.keylite.ie)

## Fitting instructions for Electric Operation



### Contents

- 1. Control Panel or Transformer Switch\*
- 2. Motor Cable
- 3. Roof Window Motor
- 4. Motor Mounting Bracket
- 5. 25mm Screws
- 6. Shoulder Bolts (see 6i)
- 7. Vent Flap Attachment Bracket (see 7i)
- 8. 16mm Vent Flap Bolt and Dome Head Nut (see 8i)
- 9. Connector Bar and Cotter Clip (see 9i)
- 10. Rain Sensor\*
- 11. Remote Control Handset\*



\*NOTE: Items are 'optional' depending on type of Keylite Electric Operation kit selected.