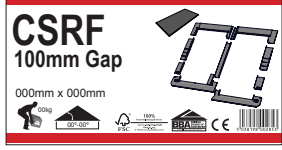
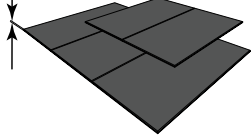
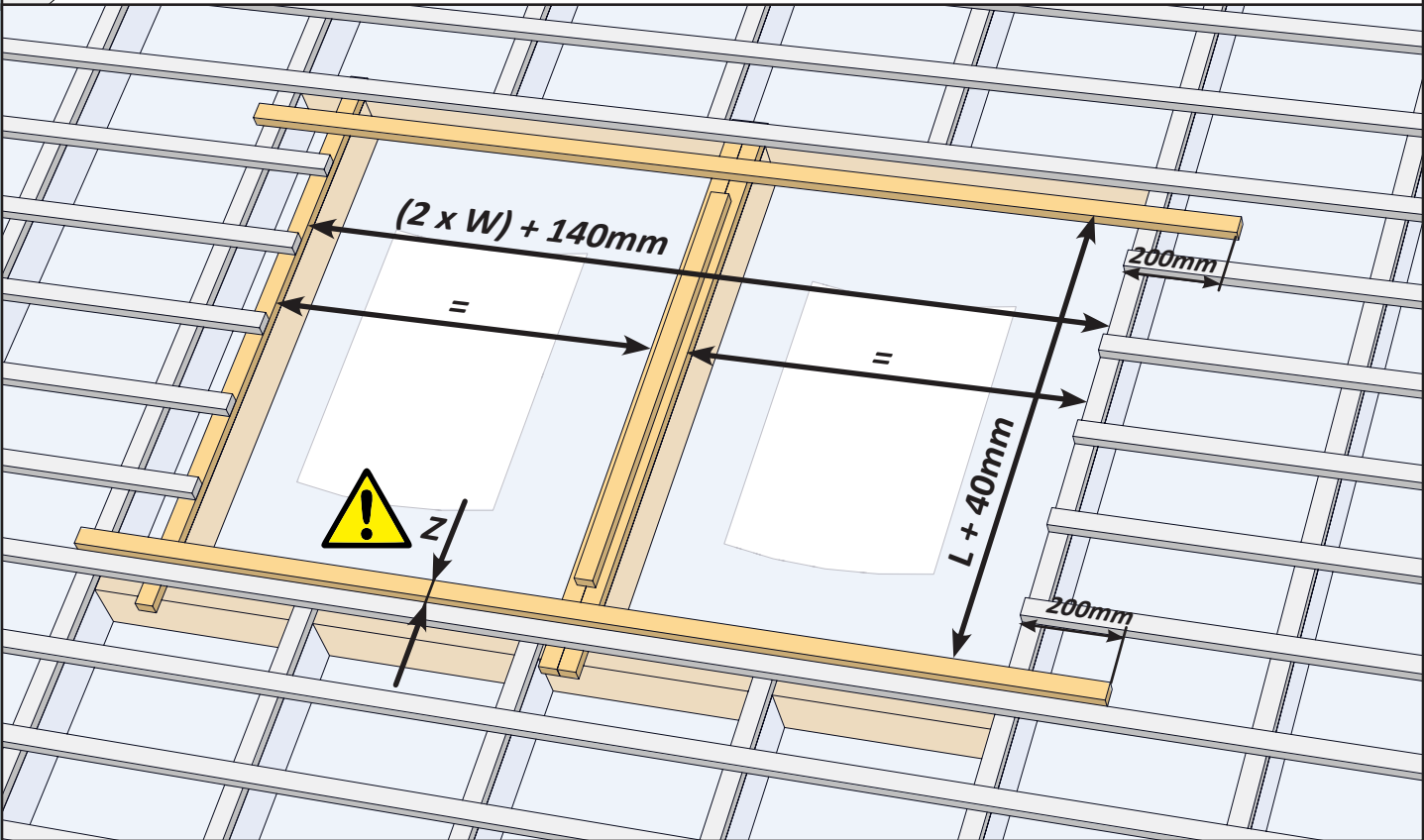
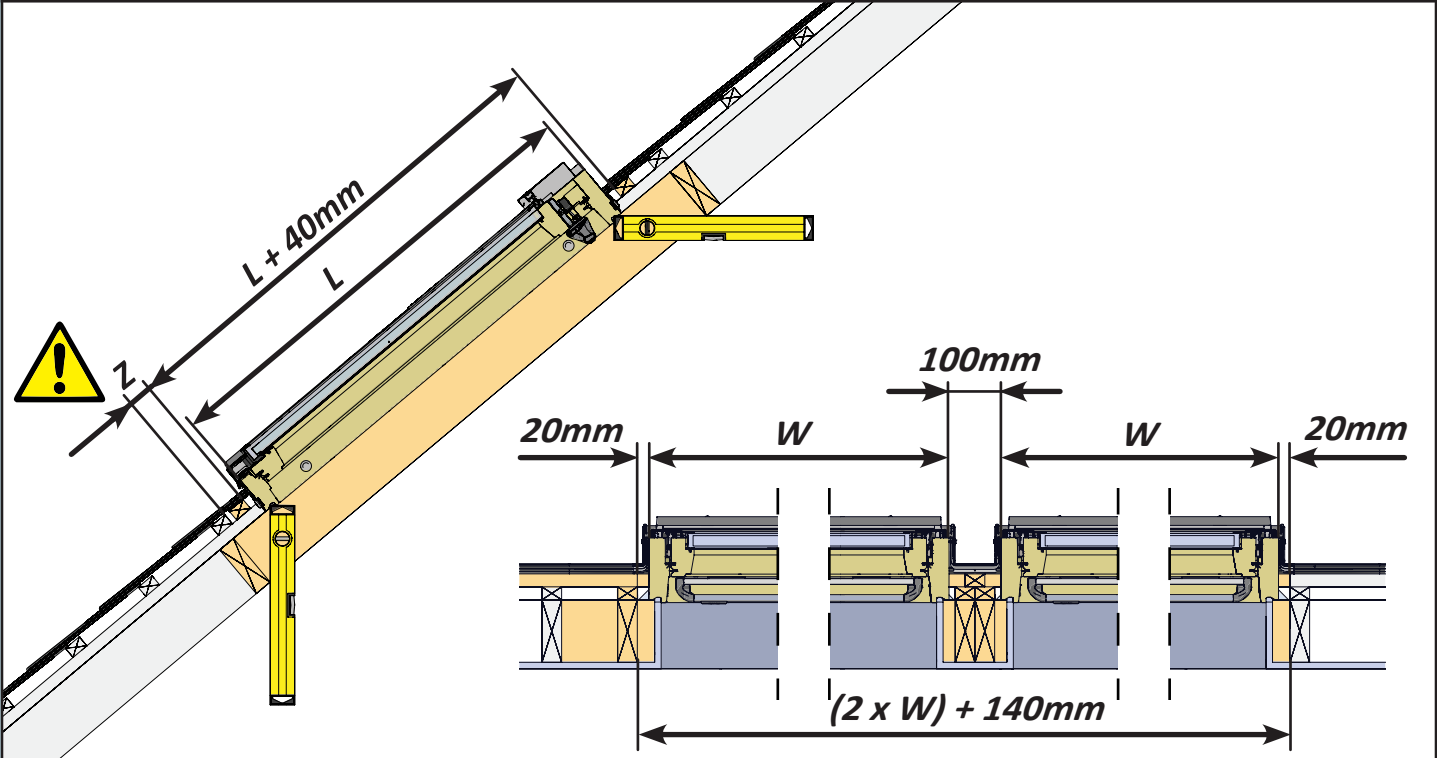
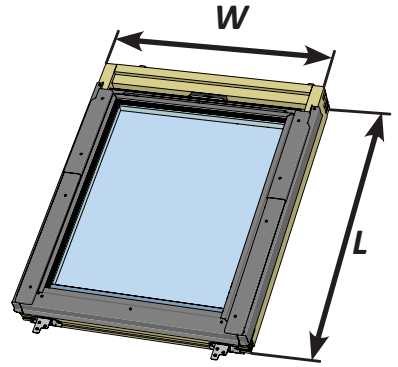
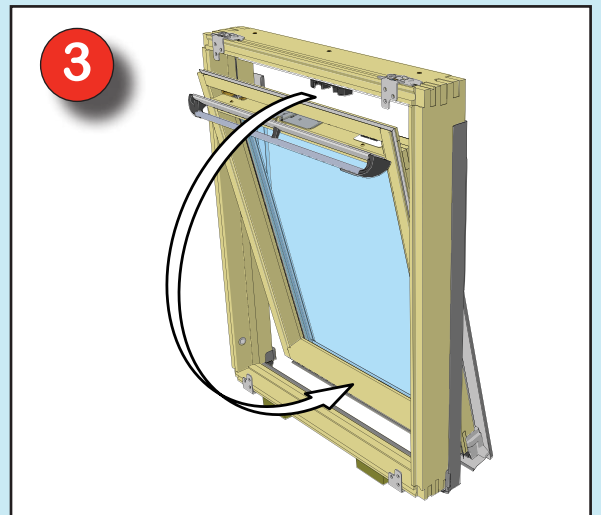
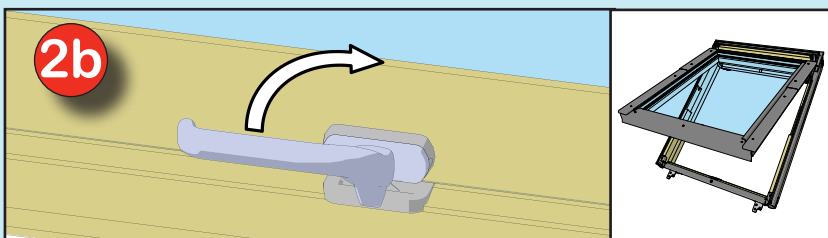
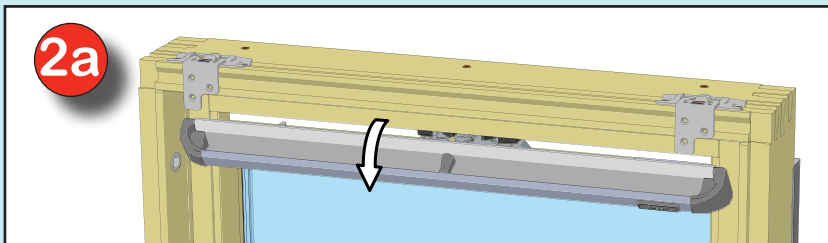
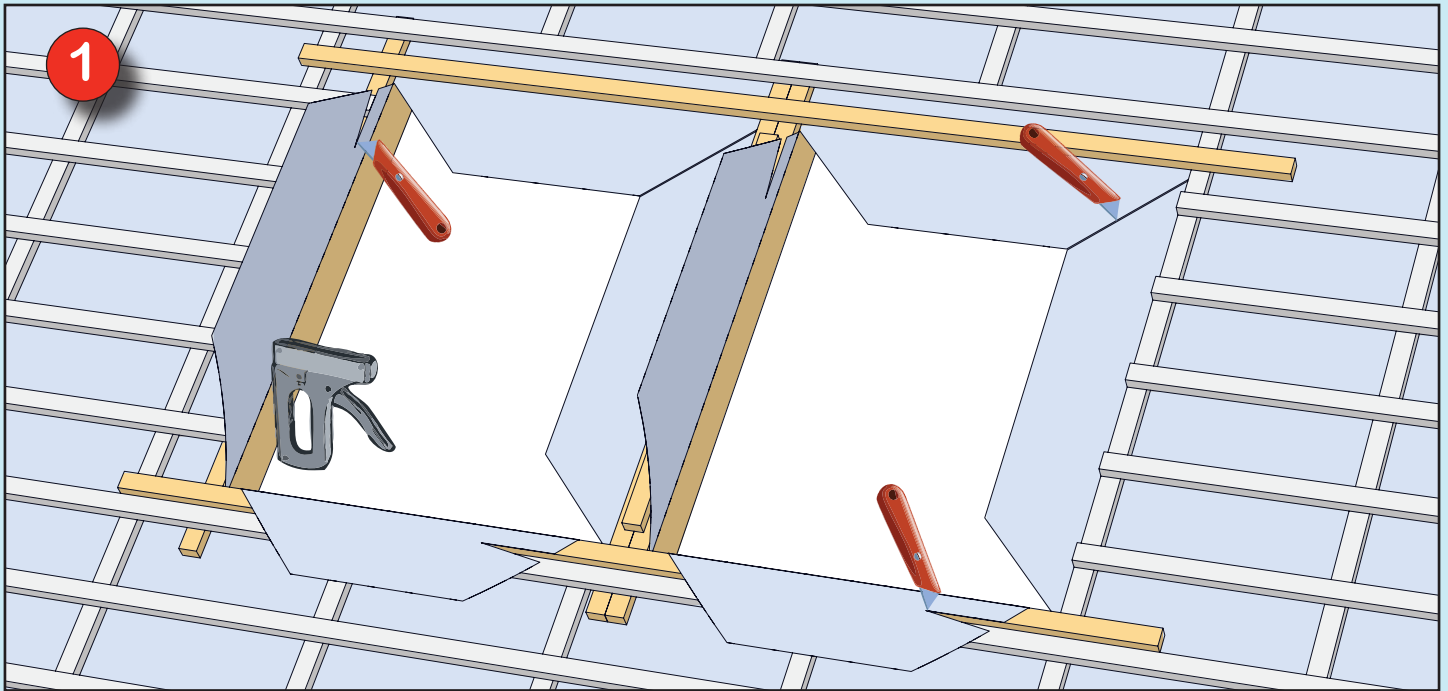
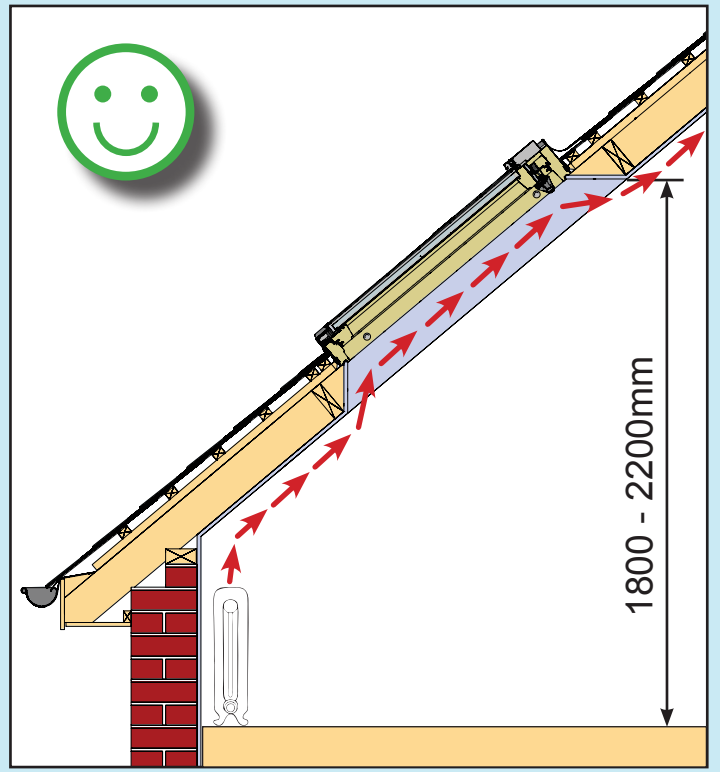
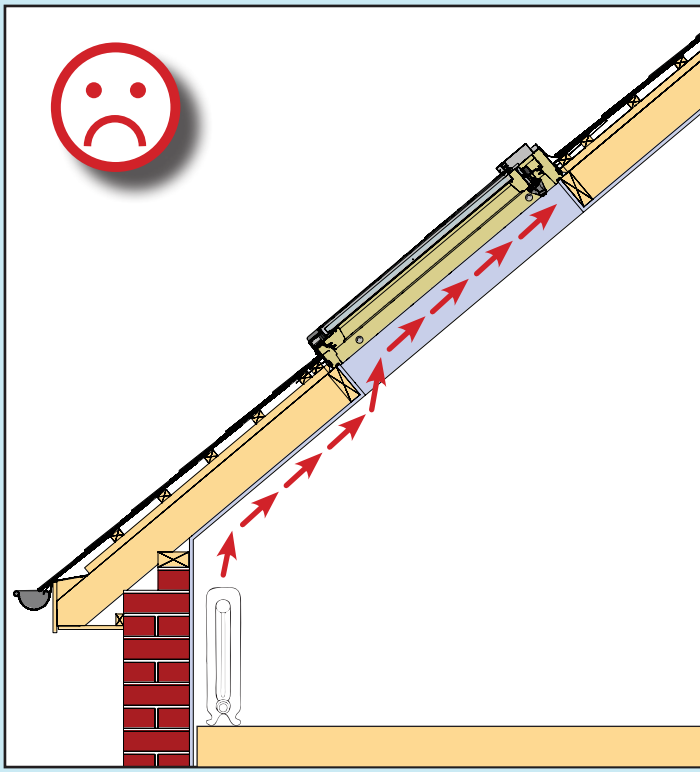


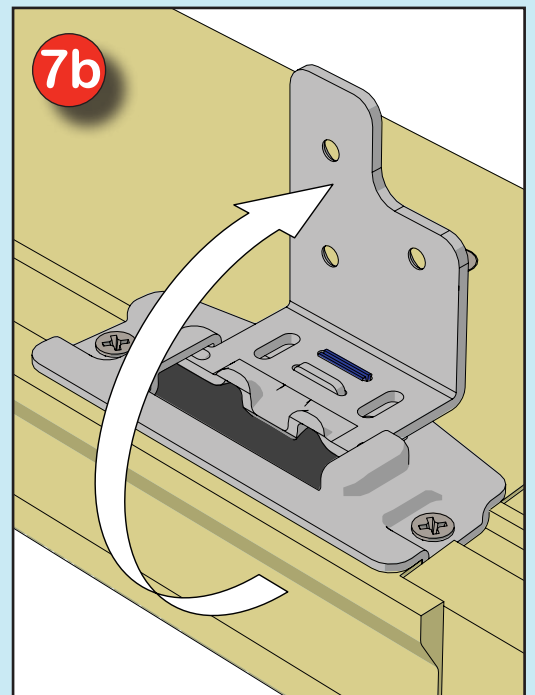
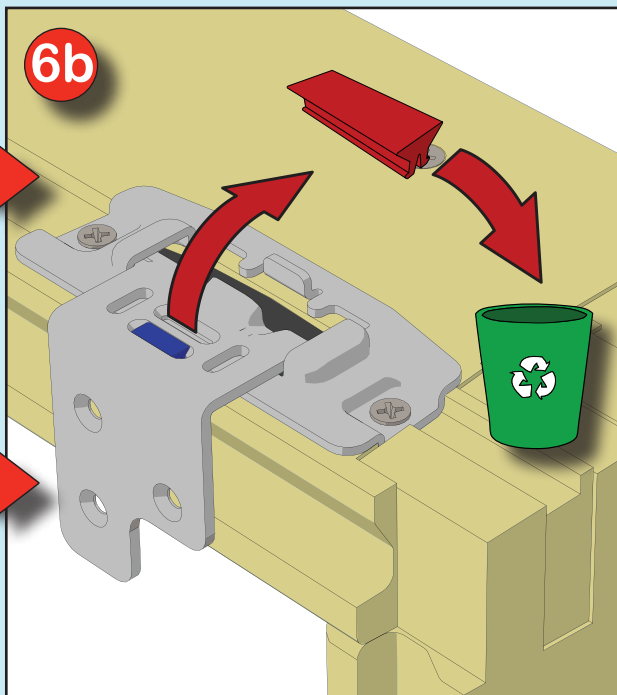
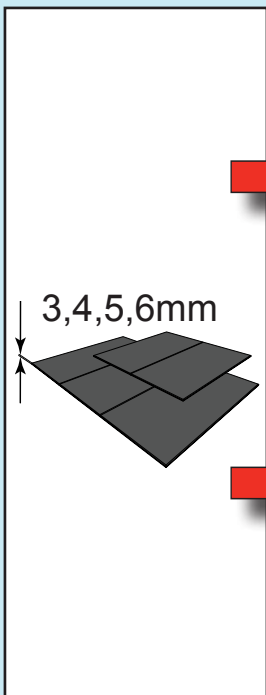
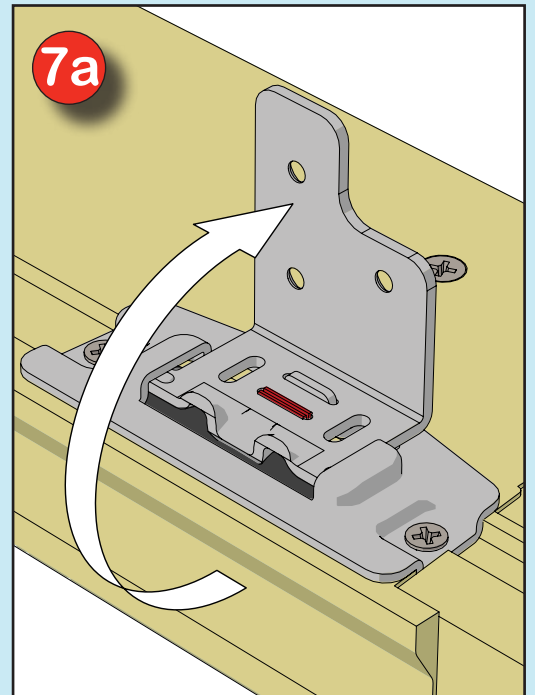
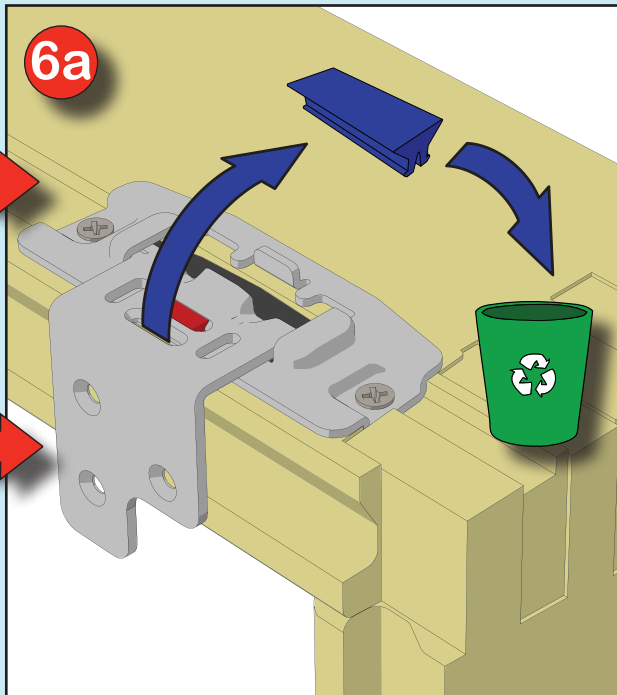
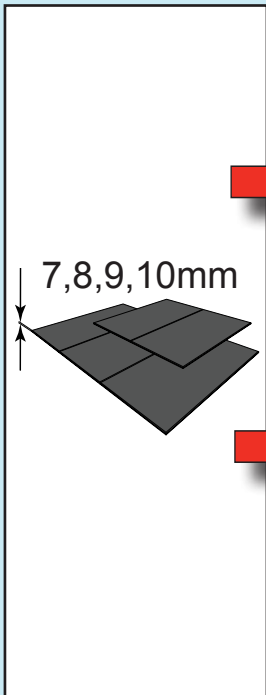
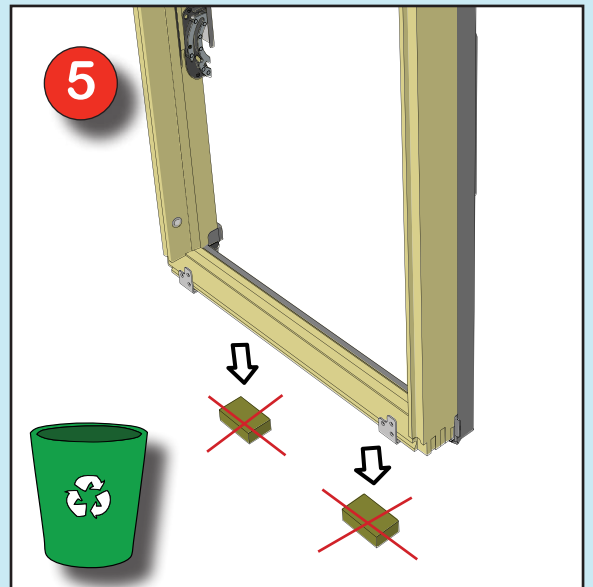
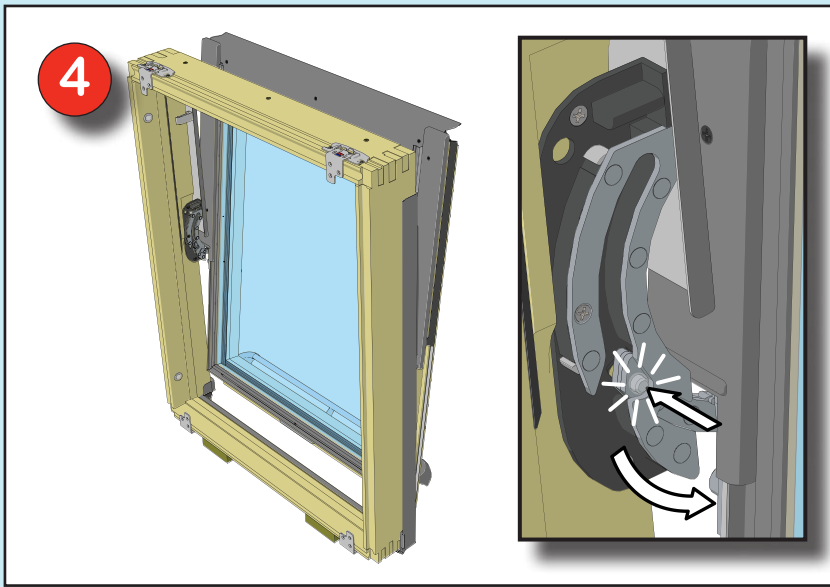
3 - 10mm

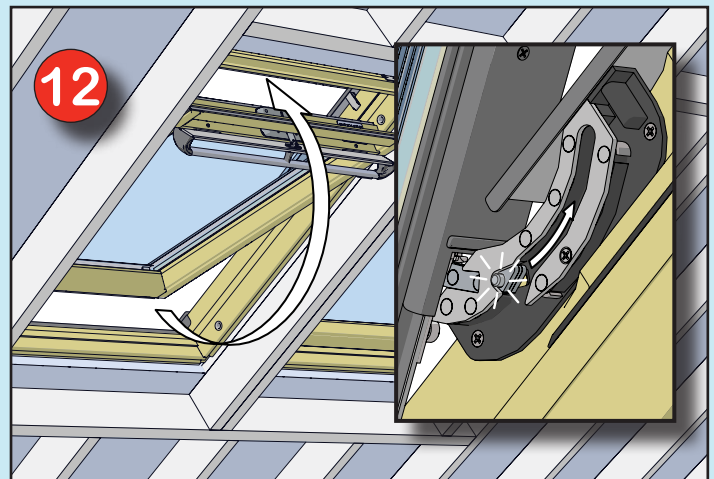
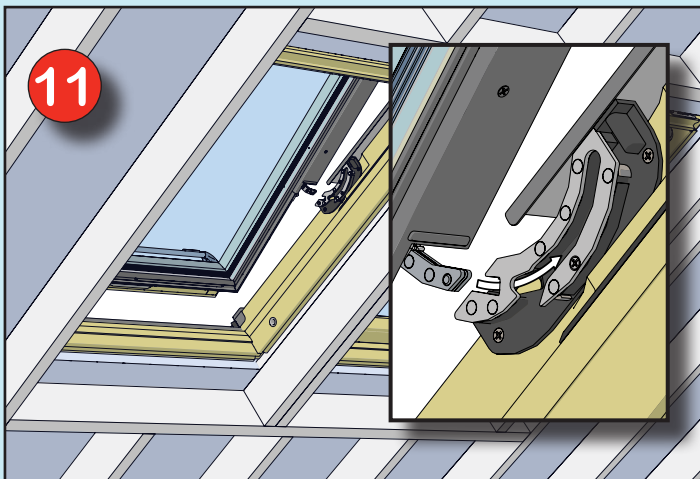
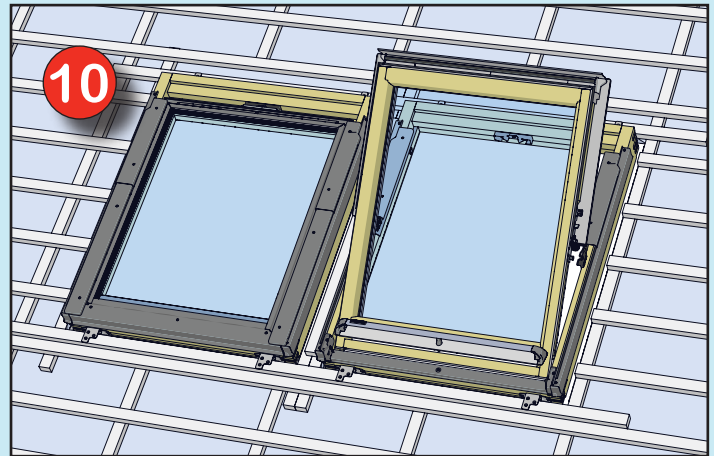
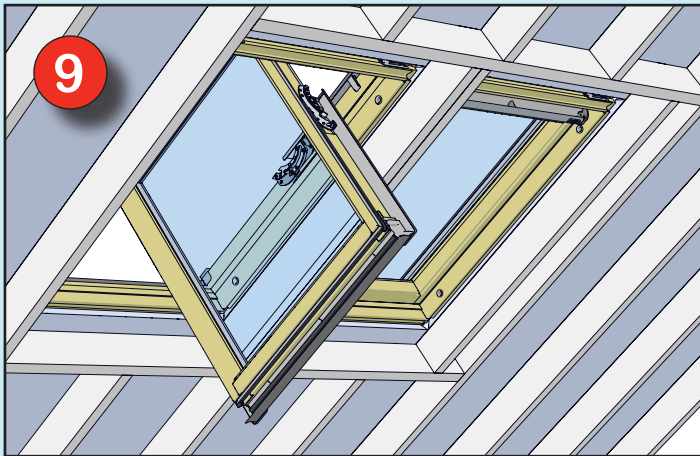
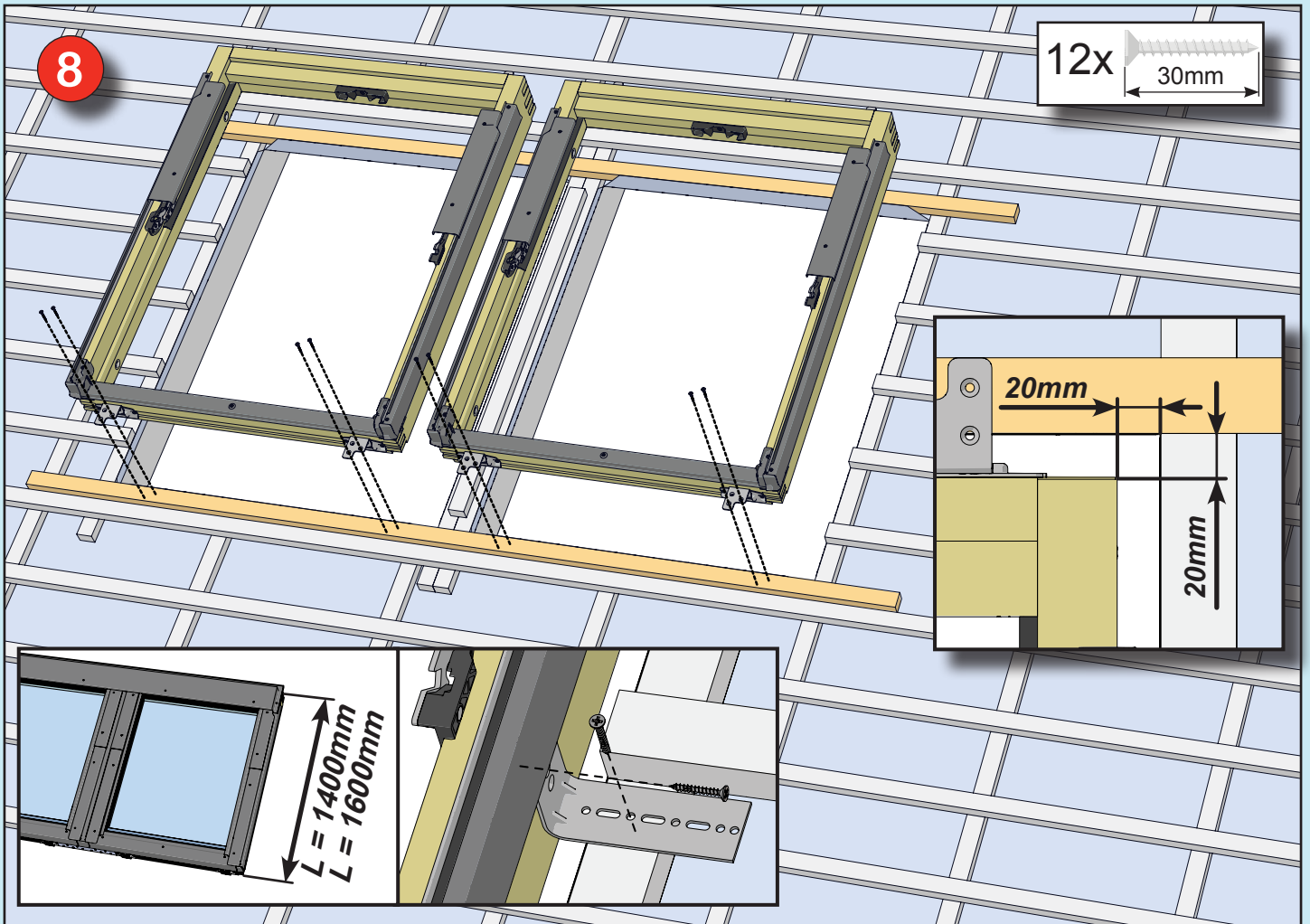


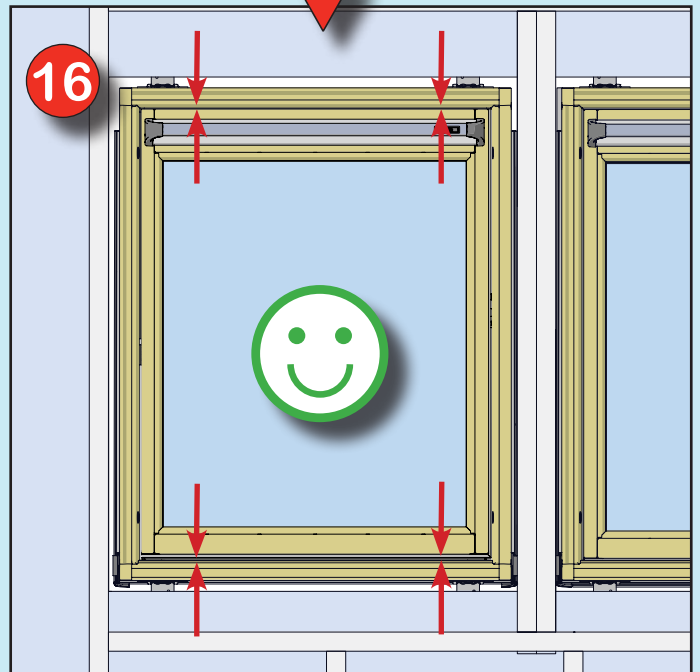
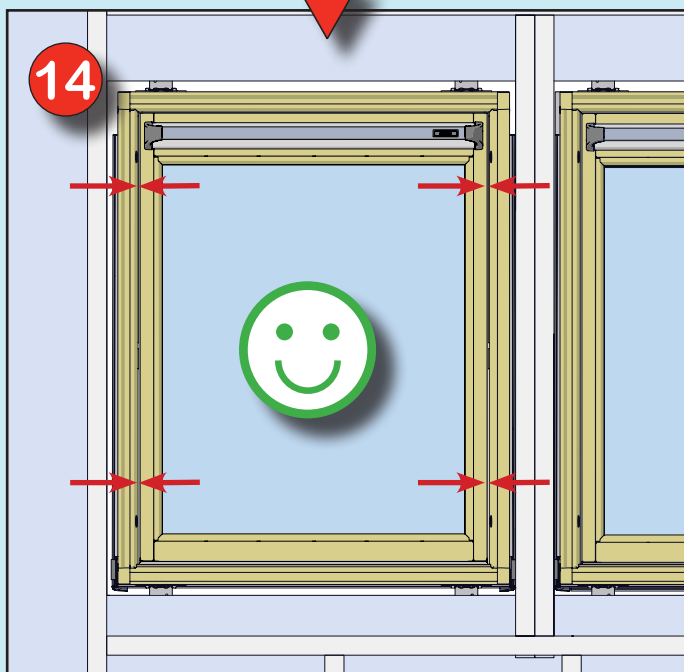
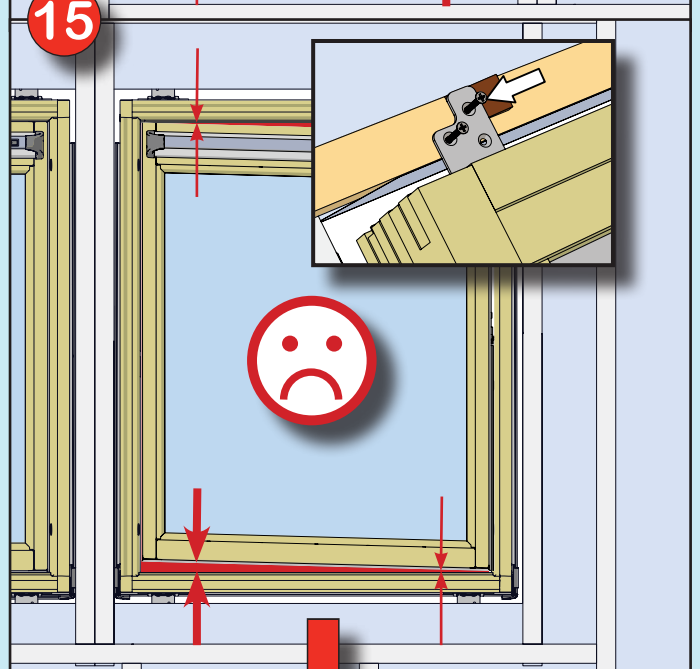
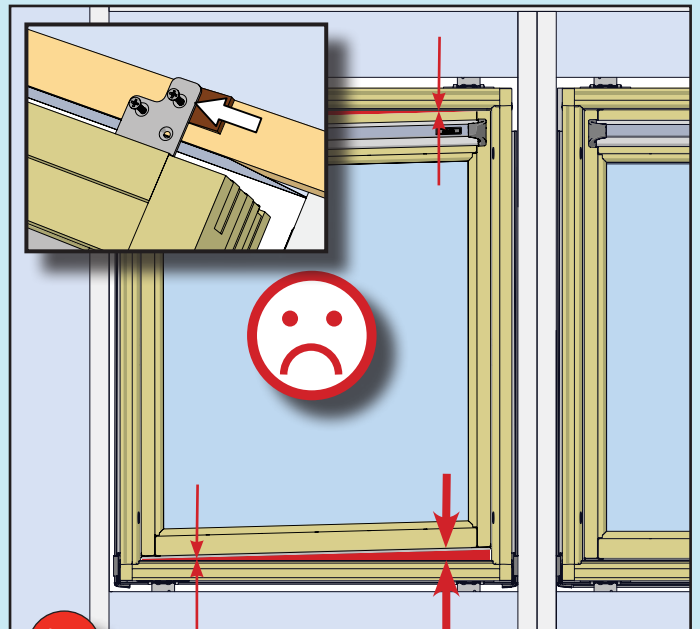
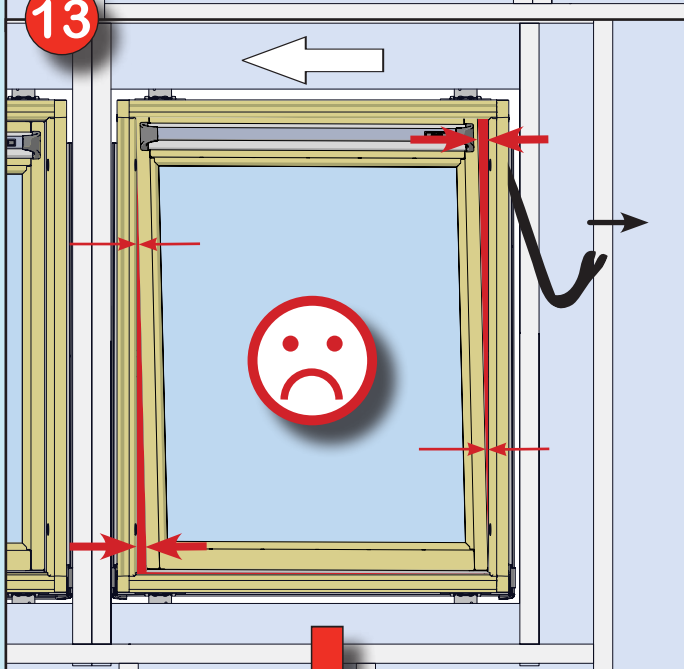
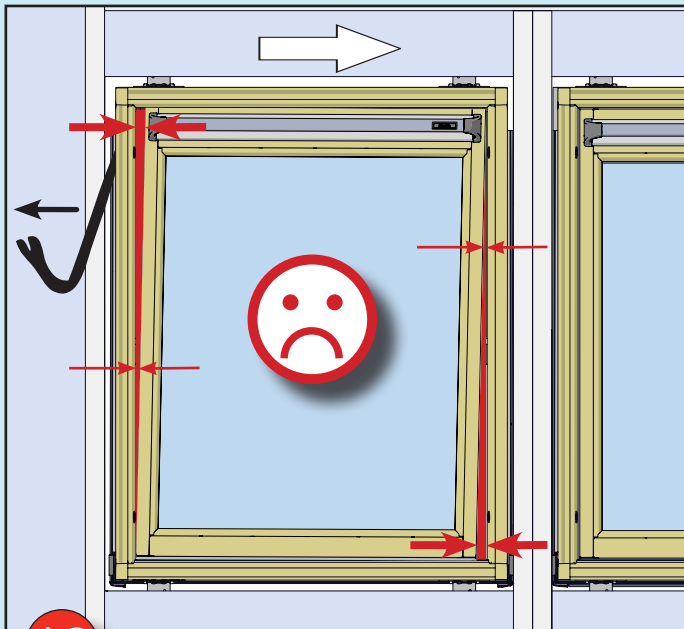
Z = 50mm

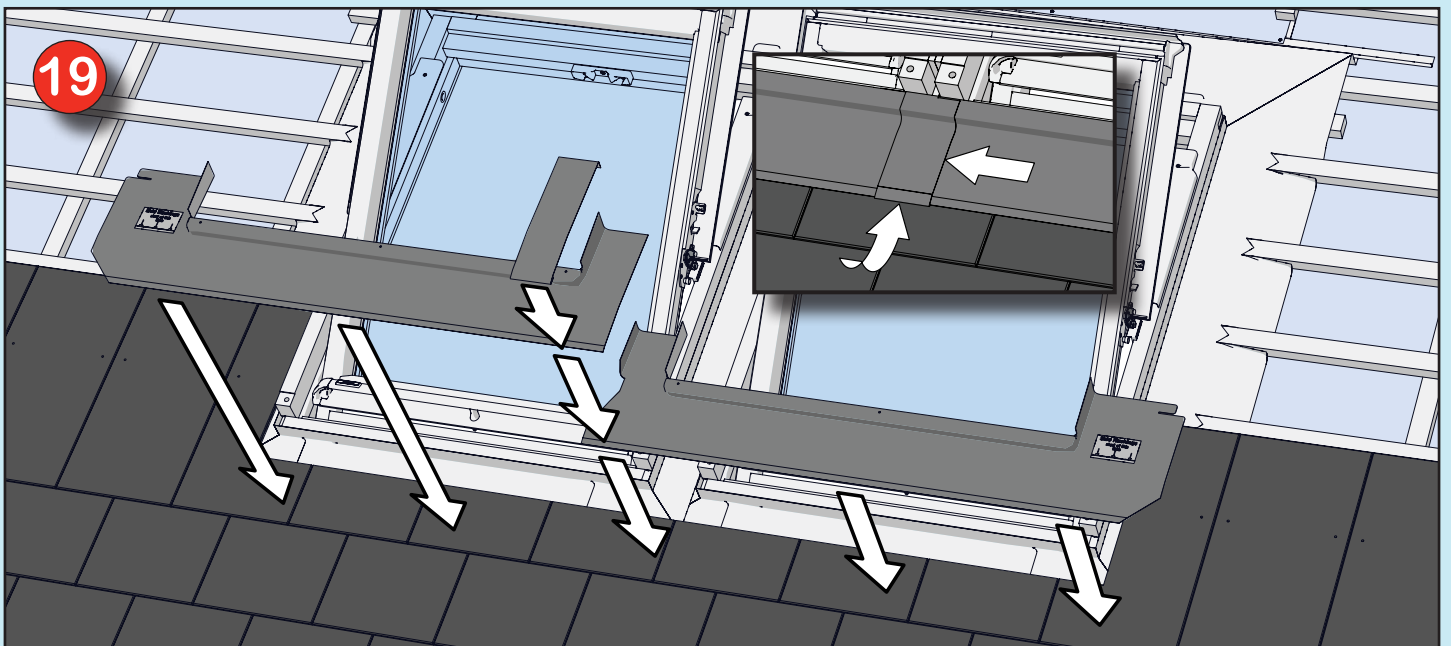
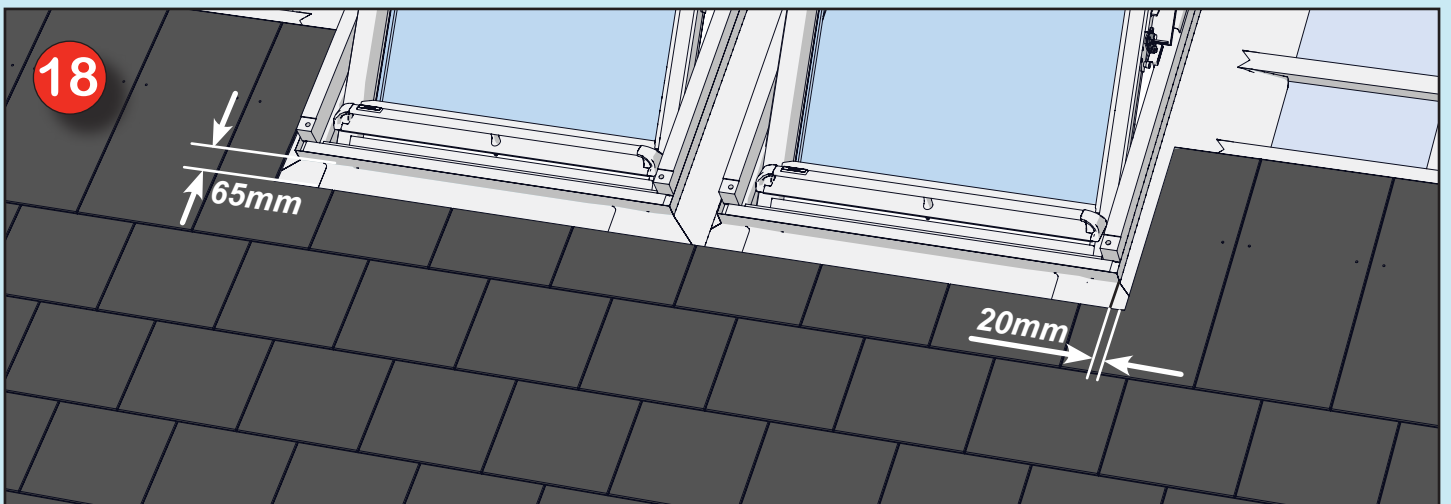
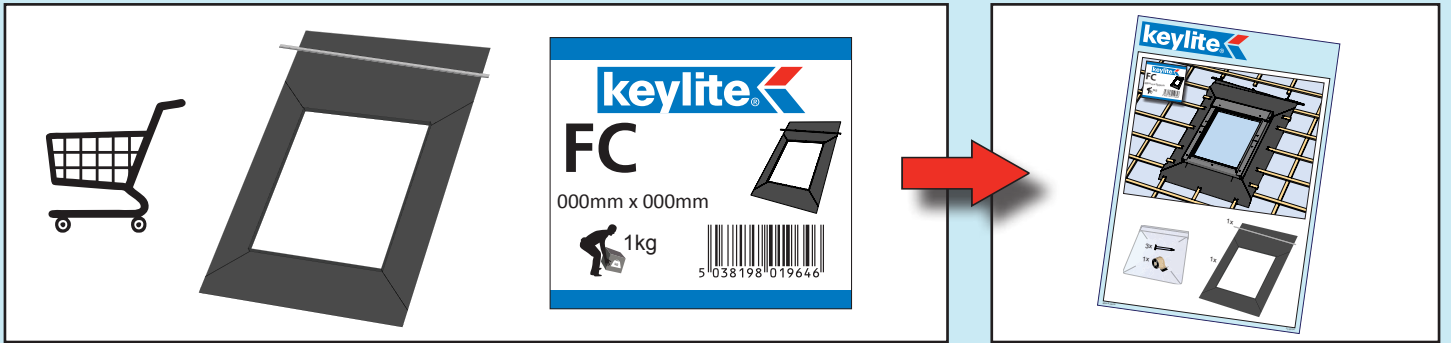
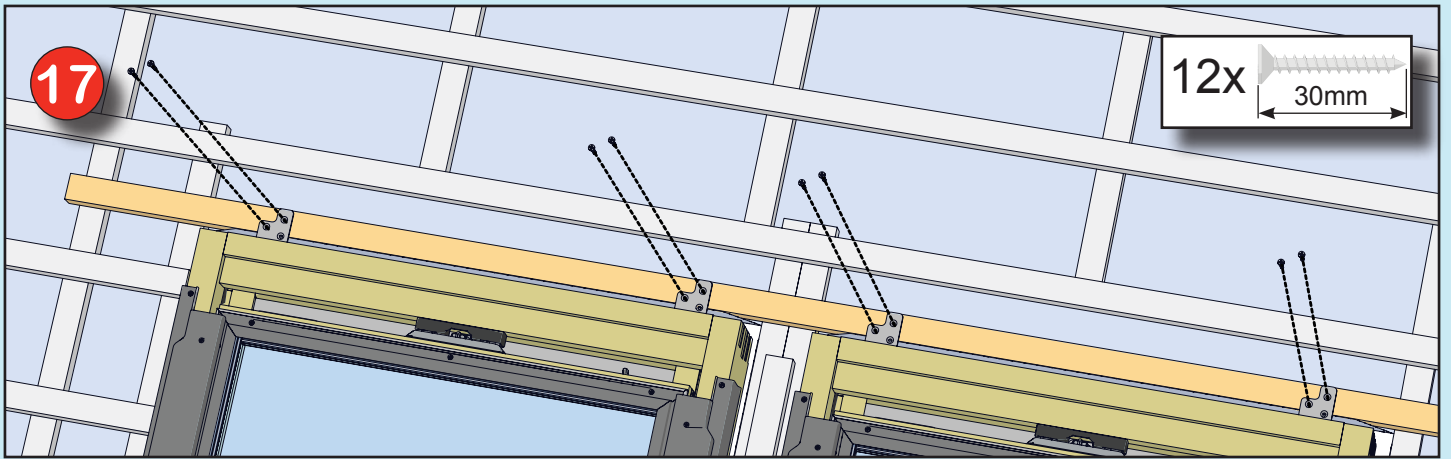


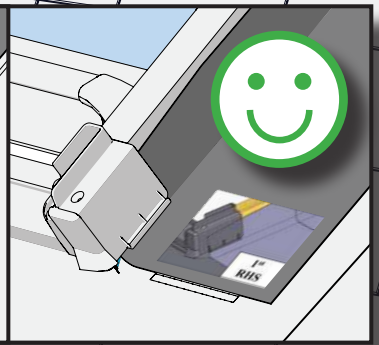
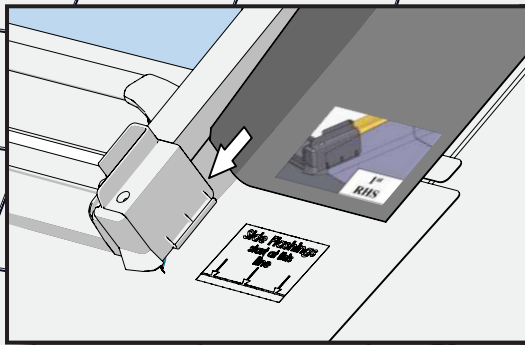
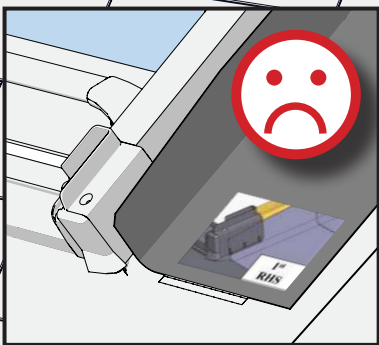
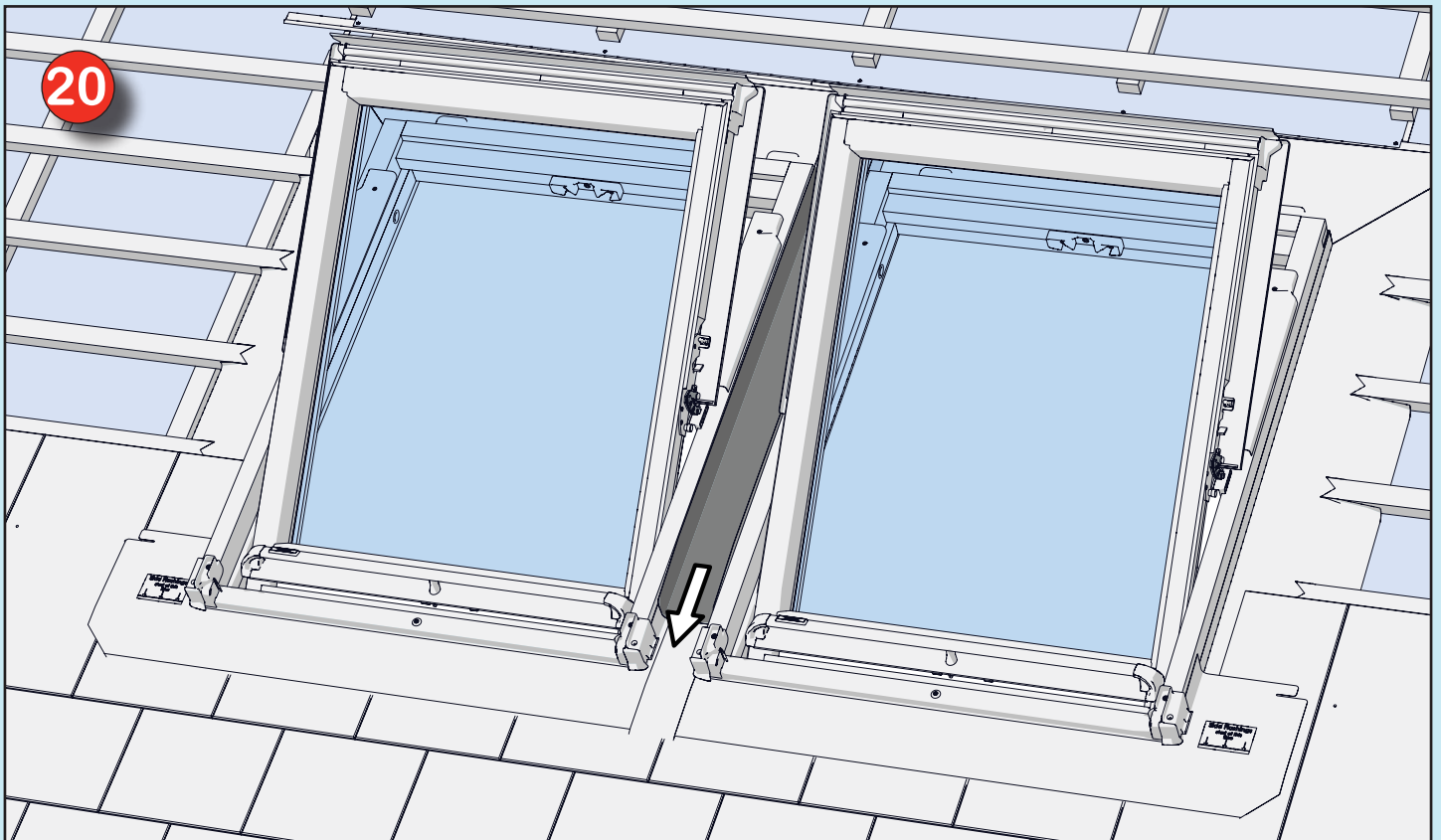
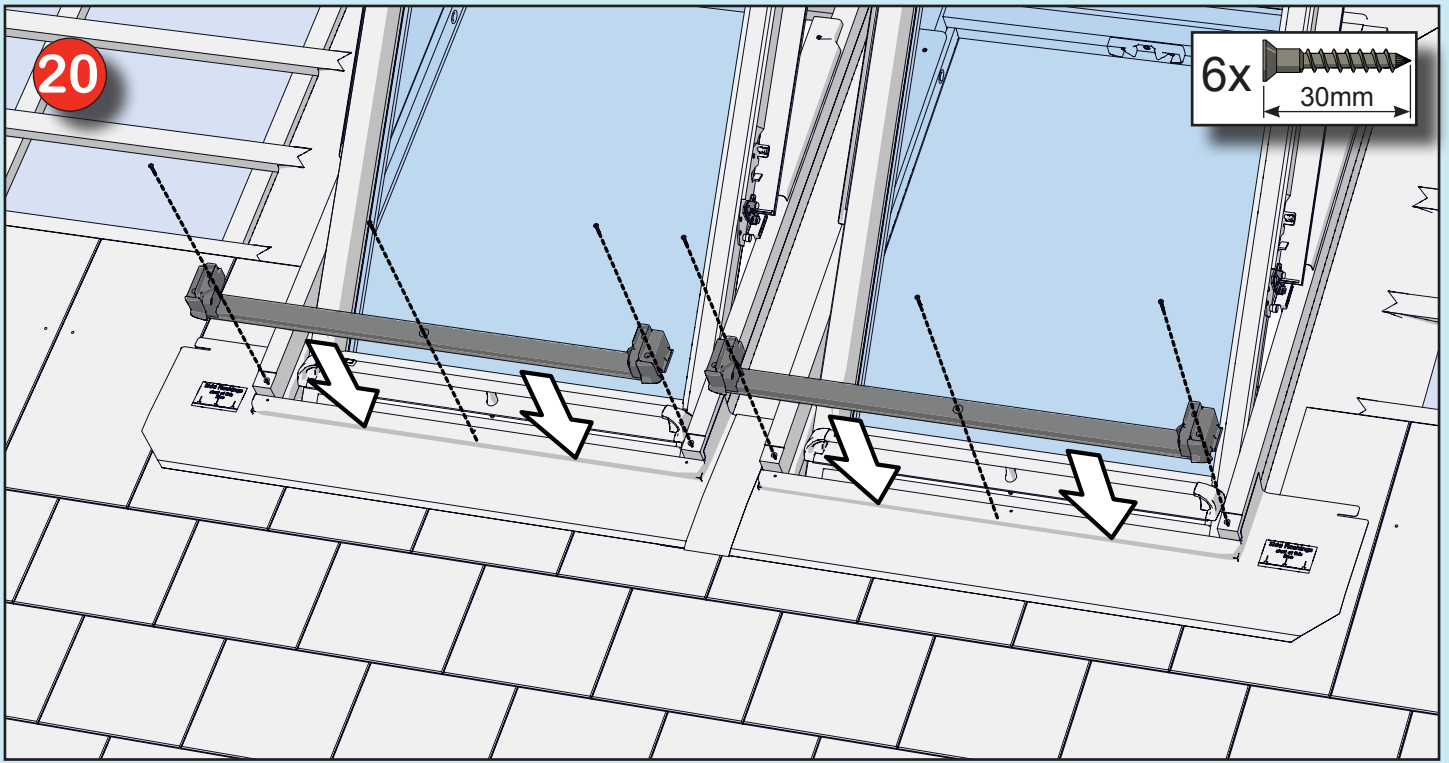


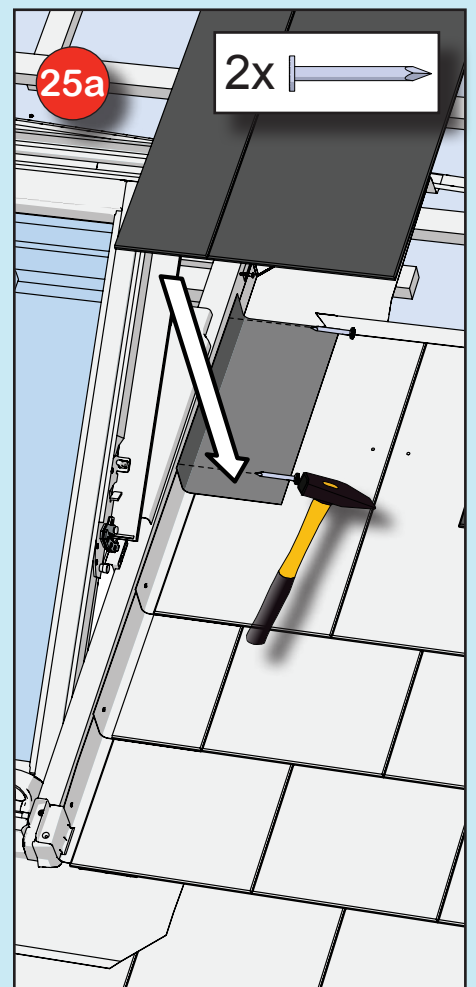
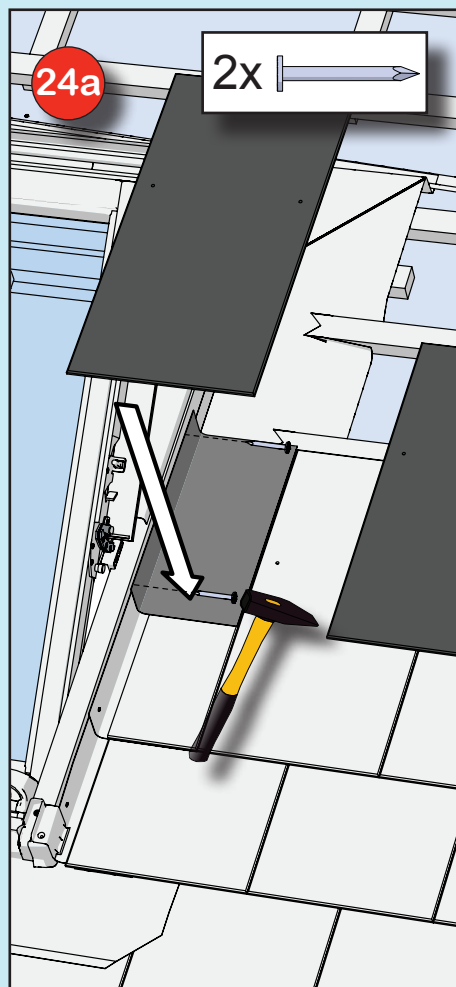
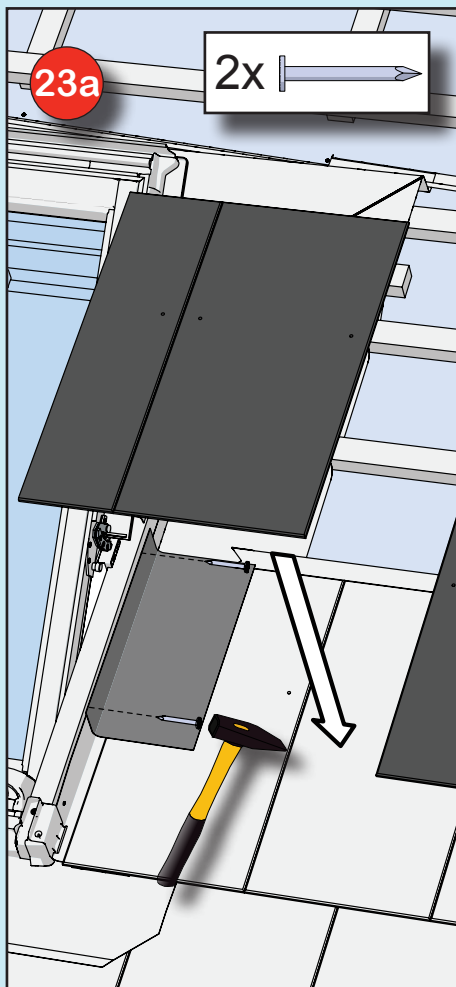
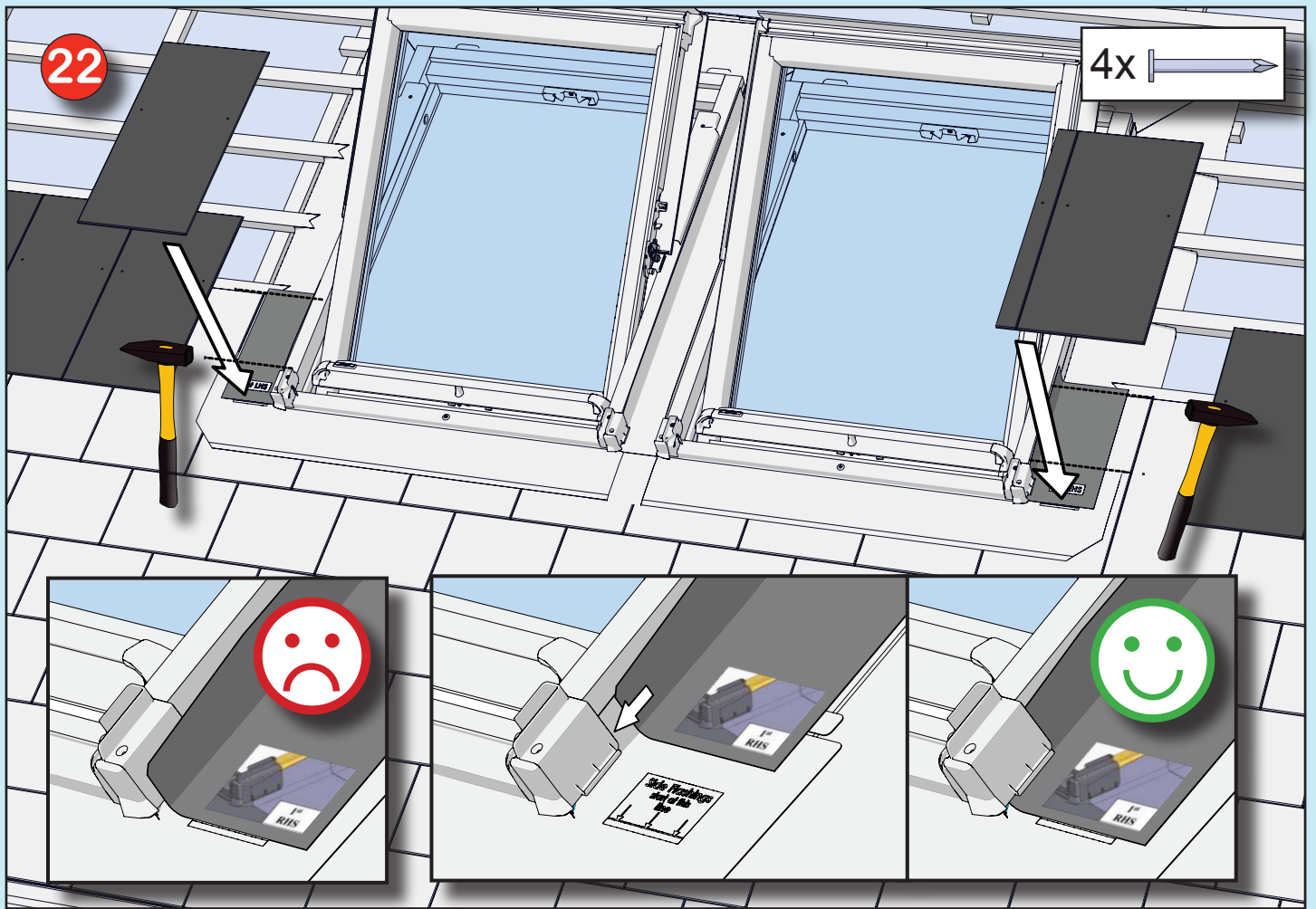


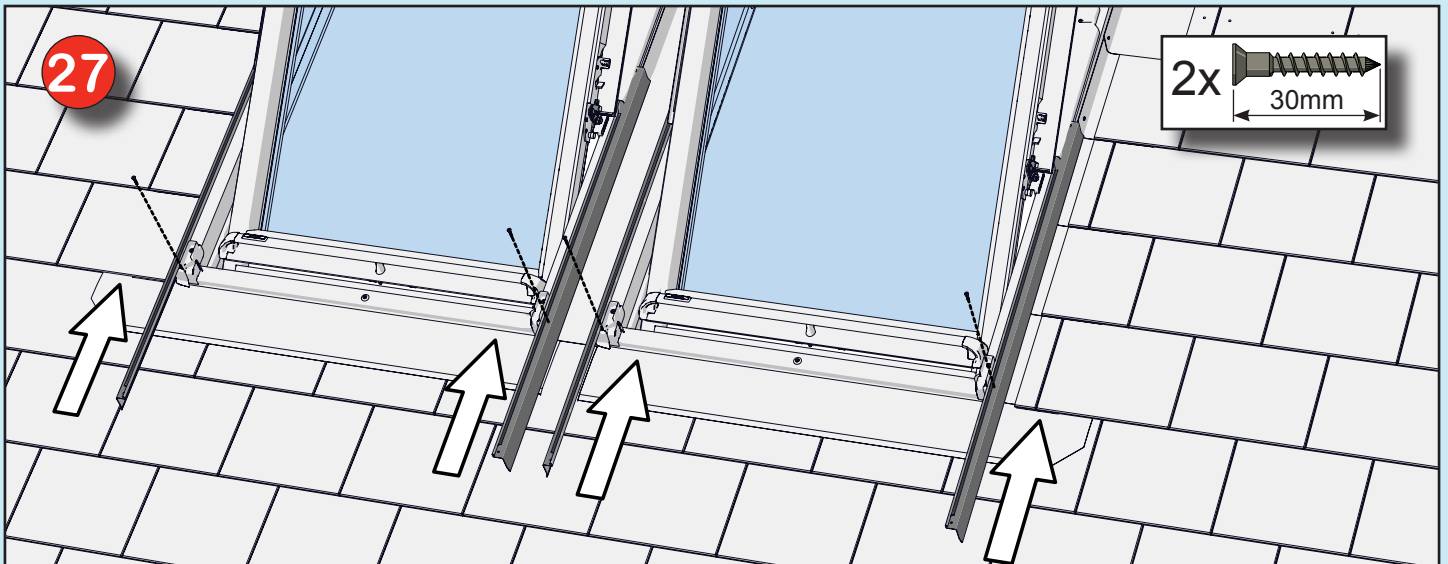
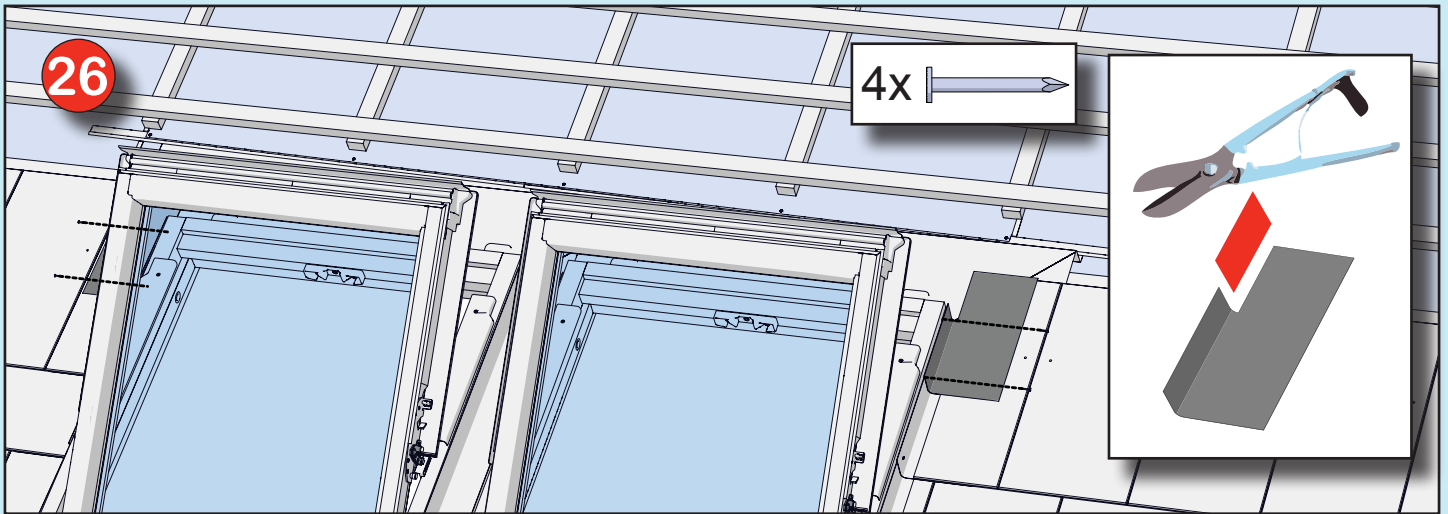
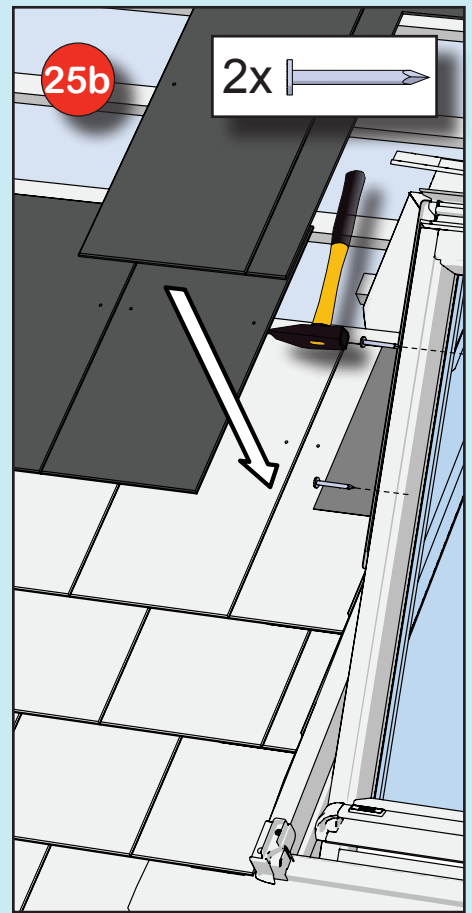
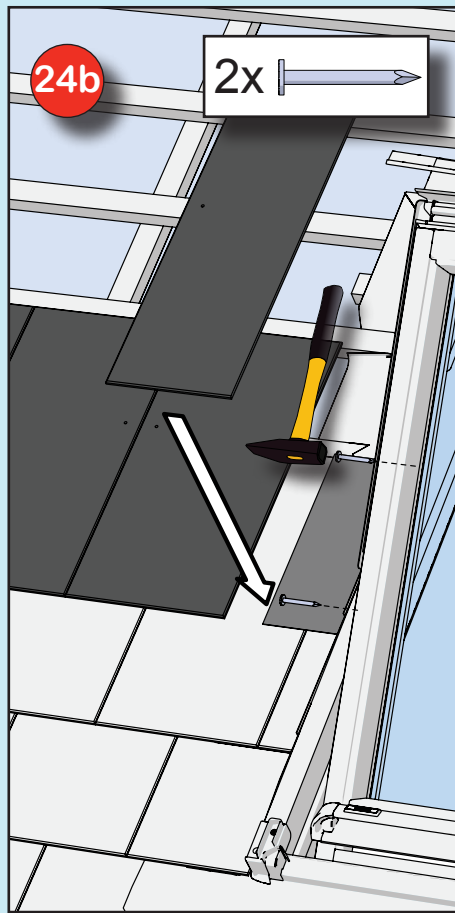
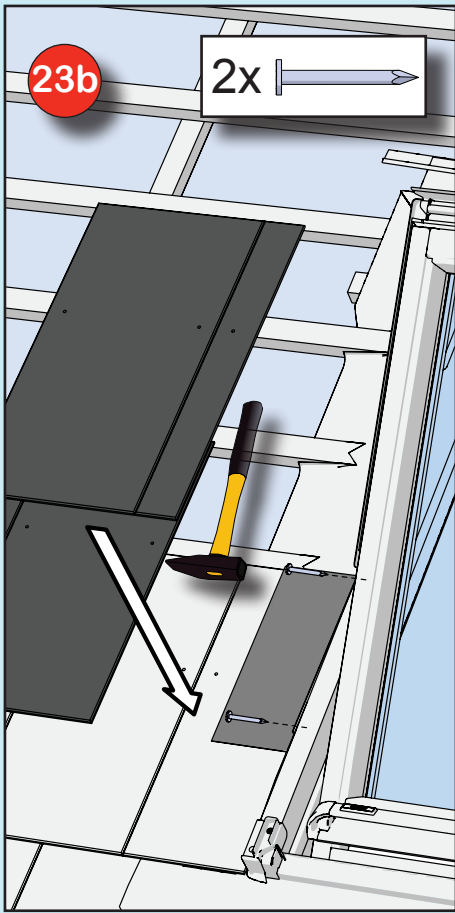


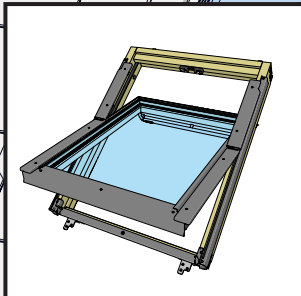
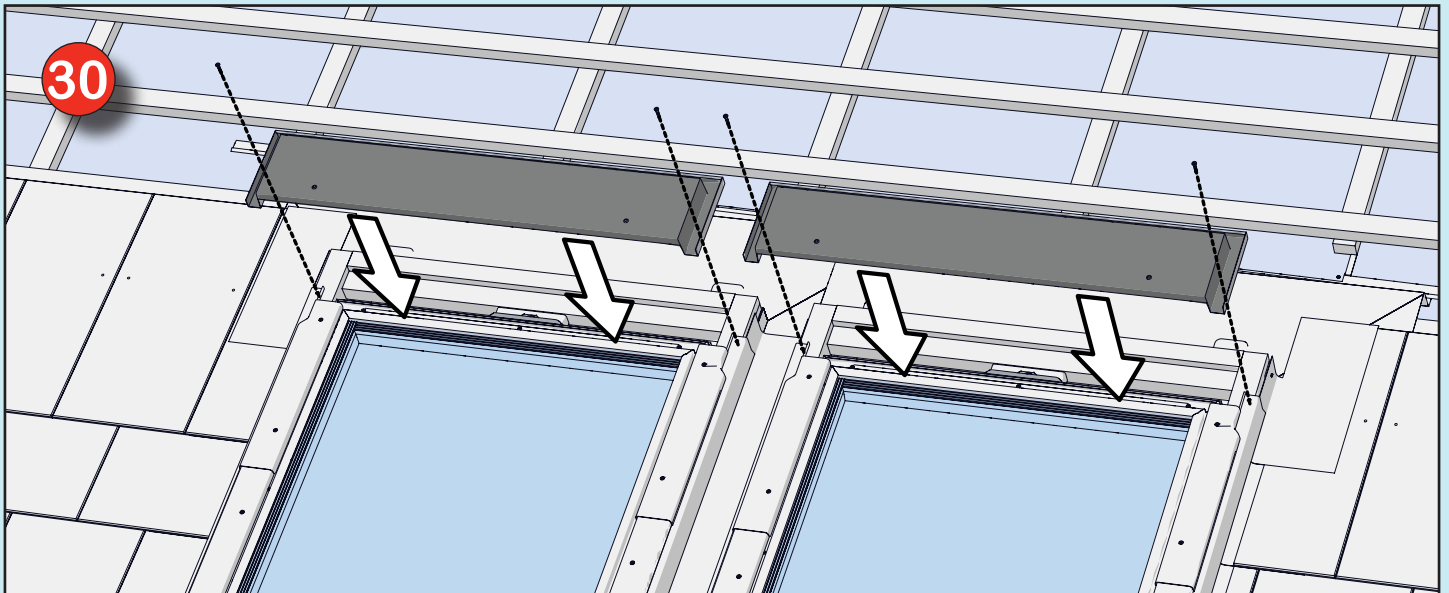
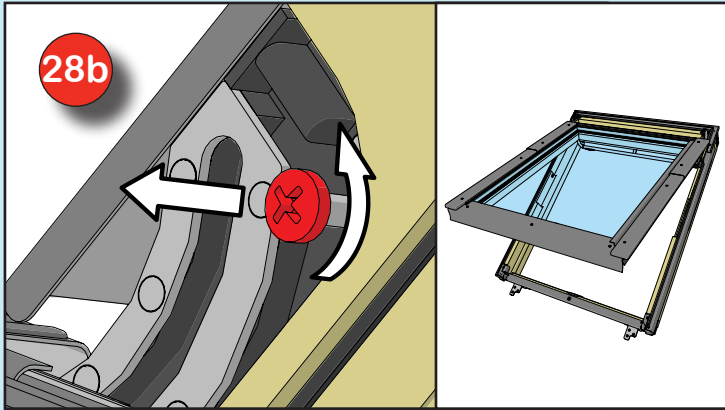
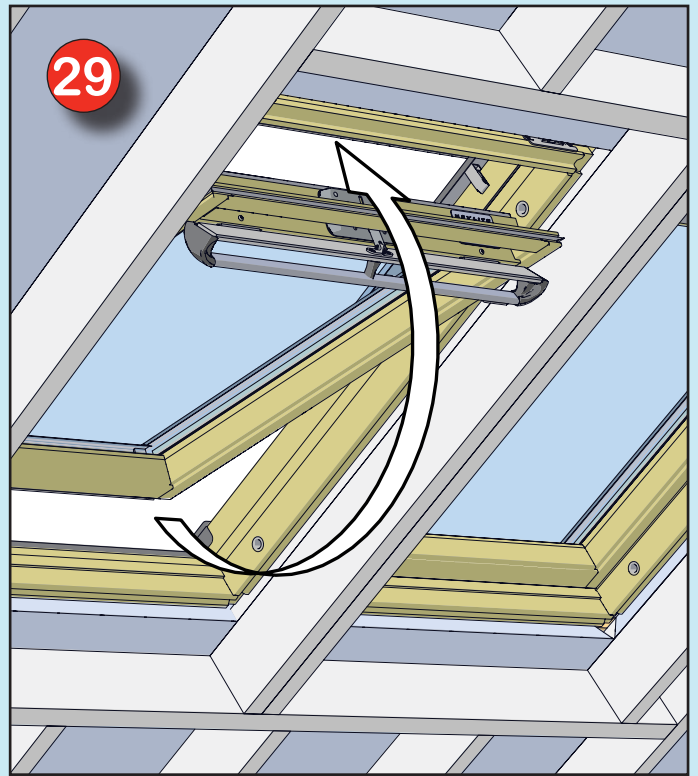
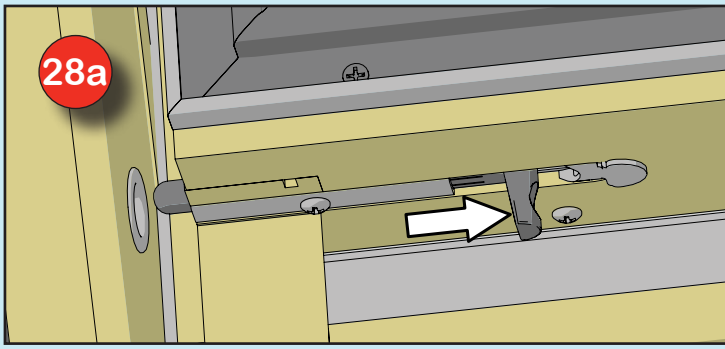


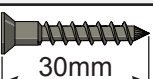


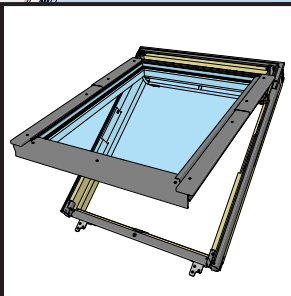
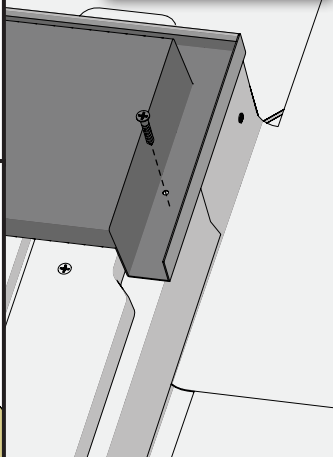


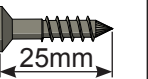
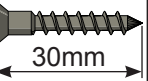






5x  30mm



8x  25mm
10x  30mm

