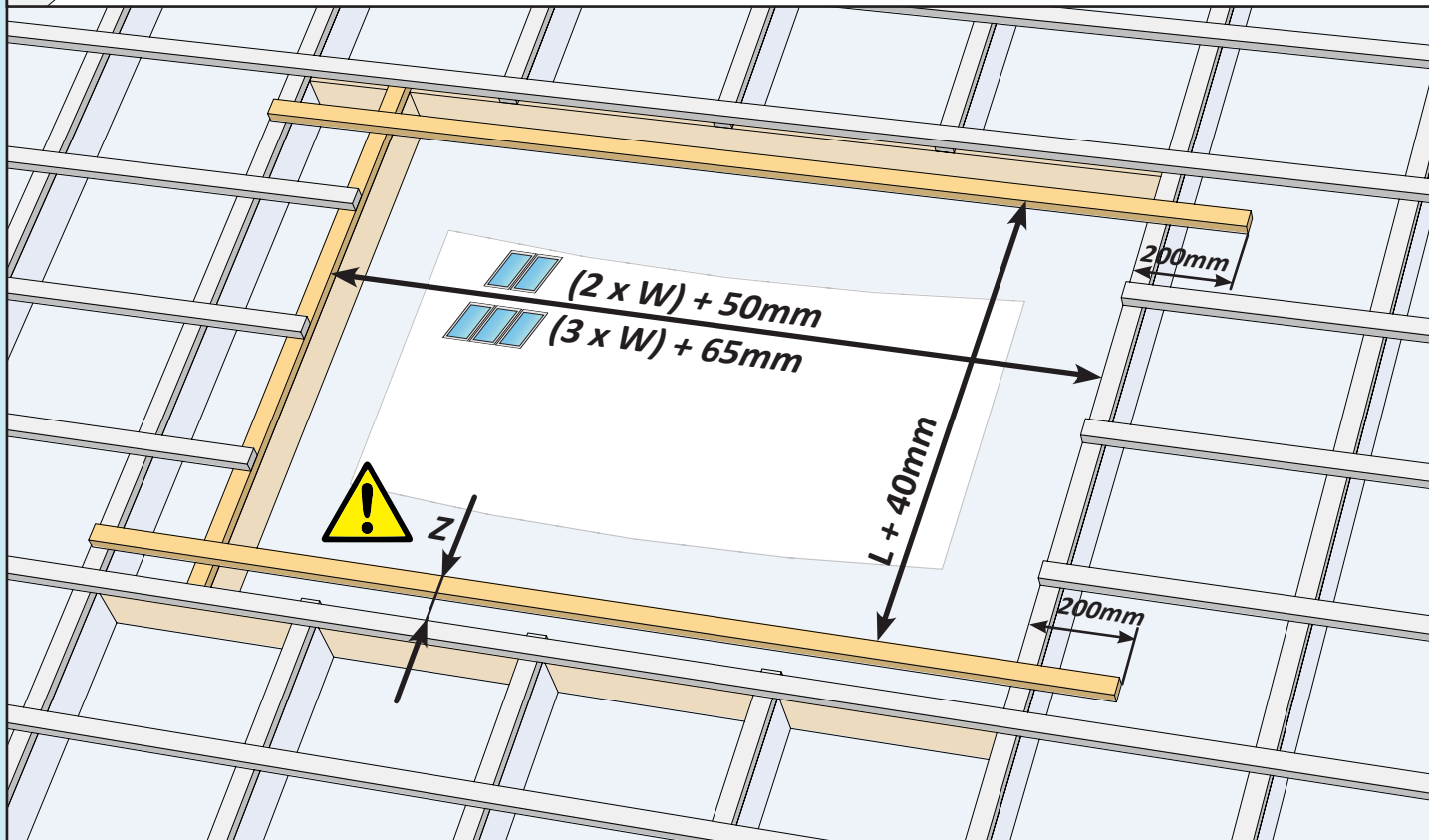
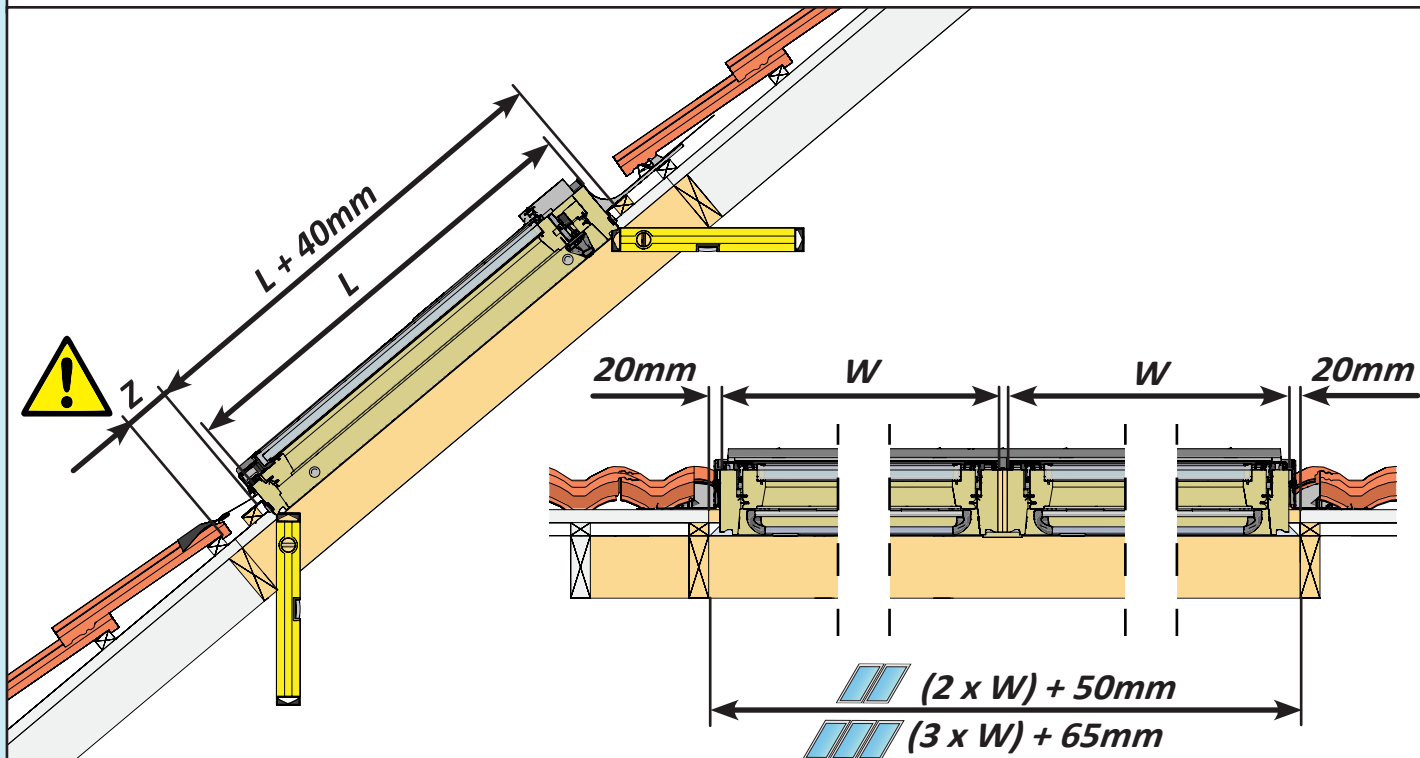
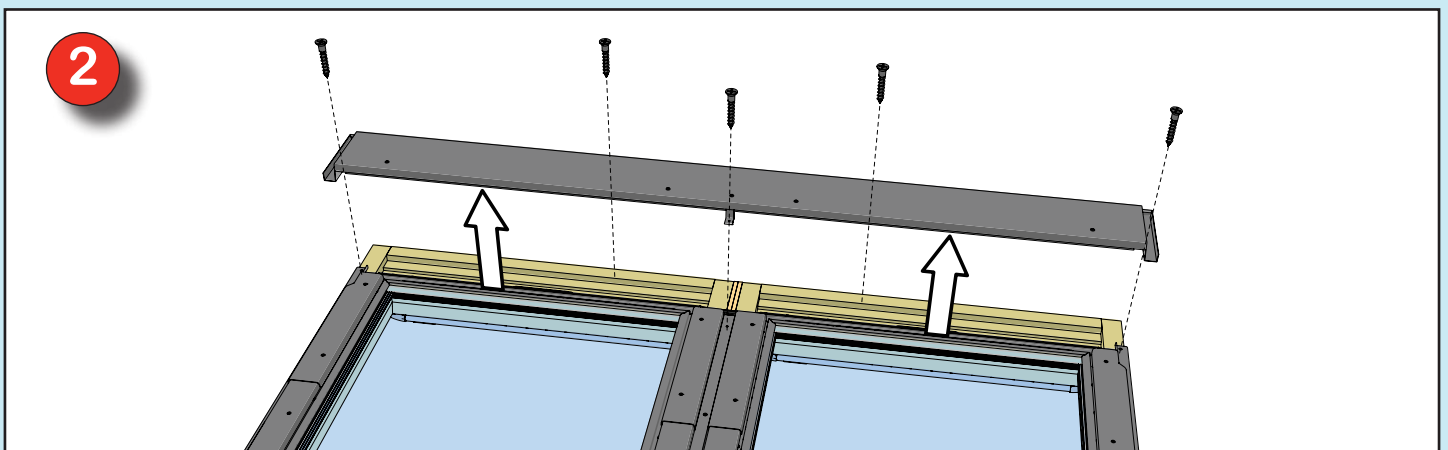
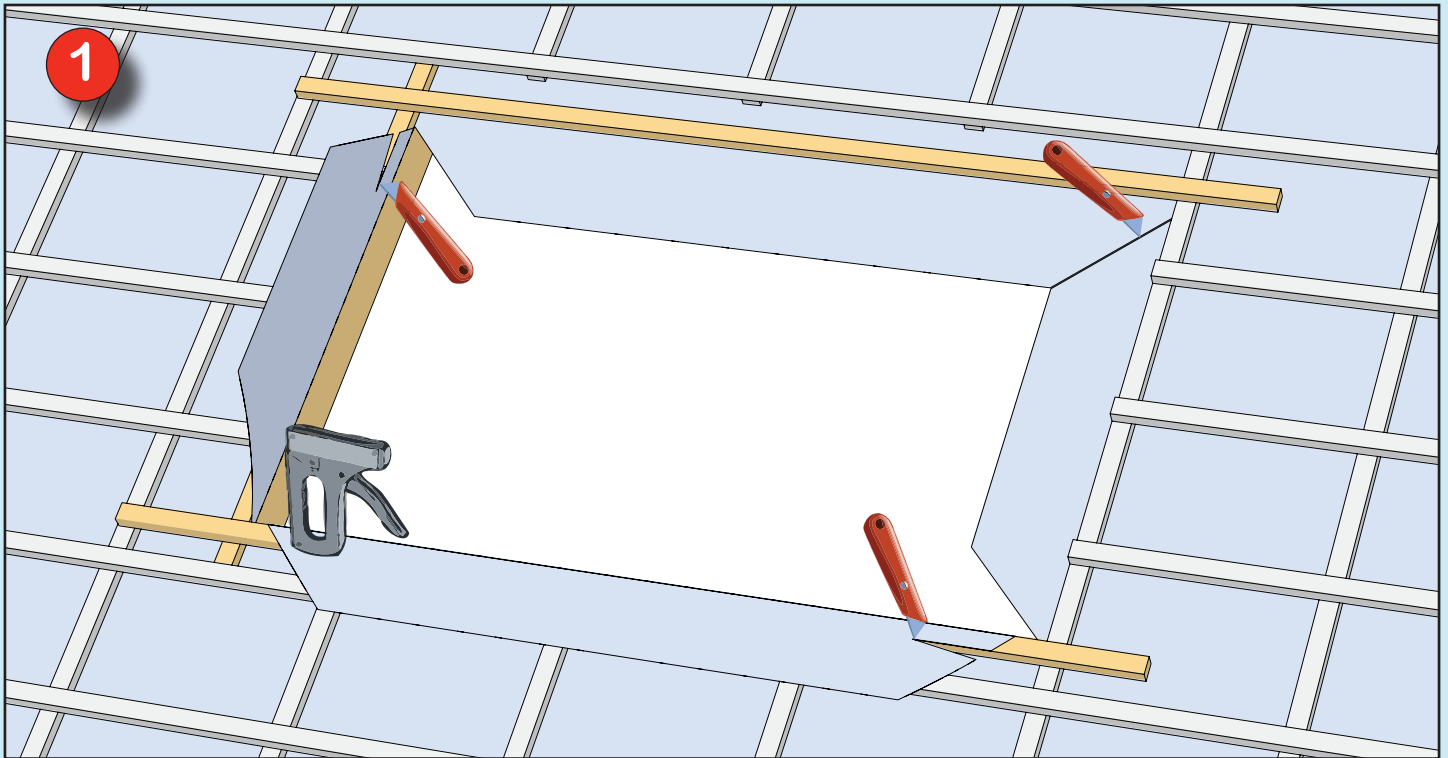
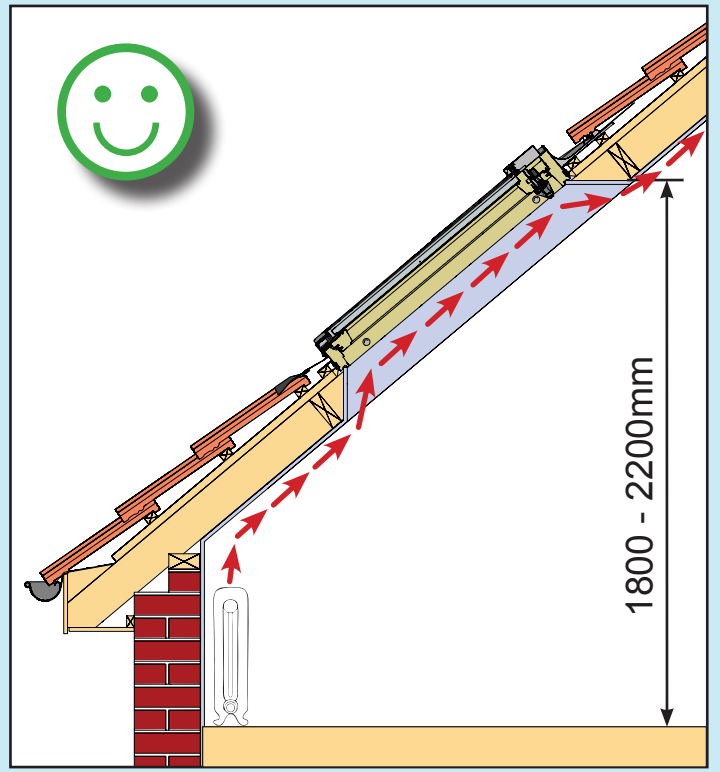
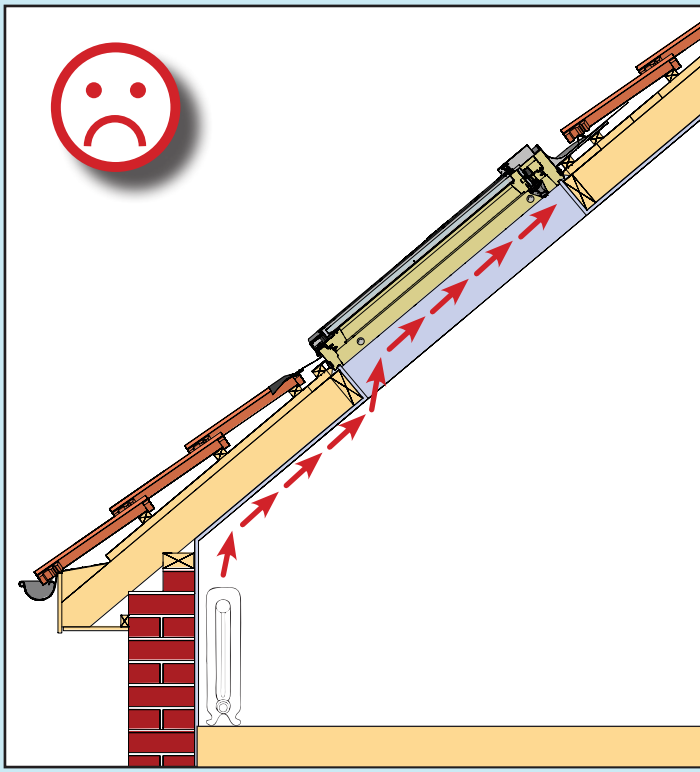


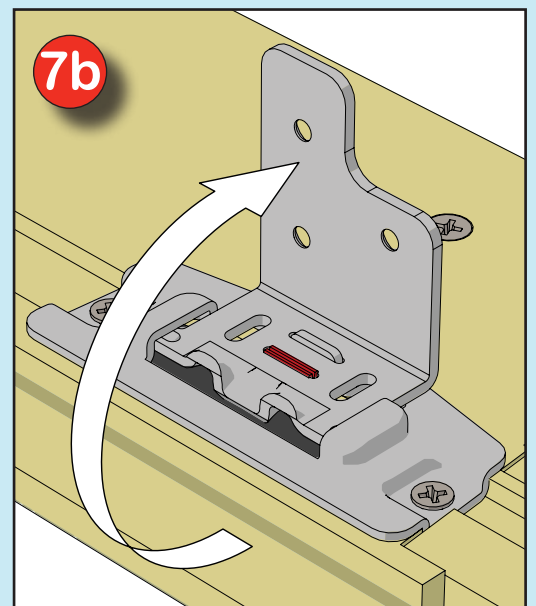
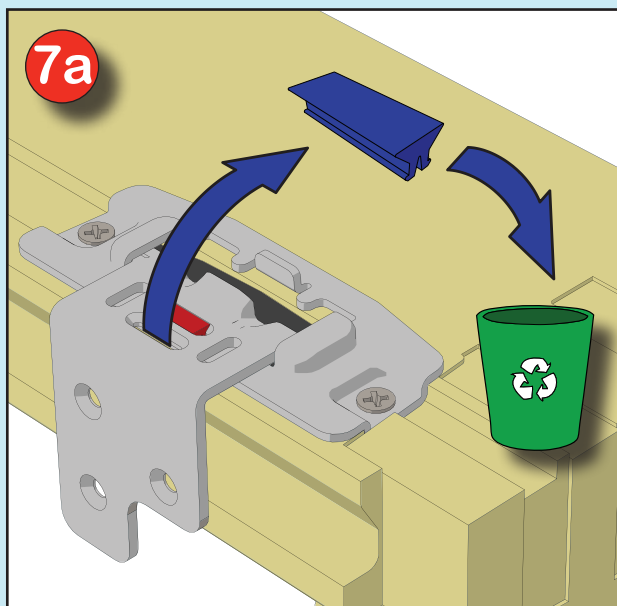
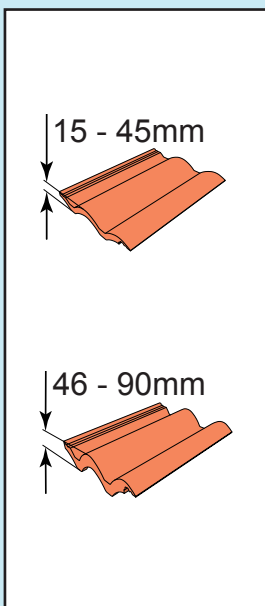
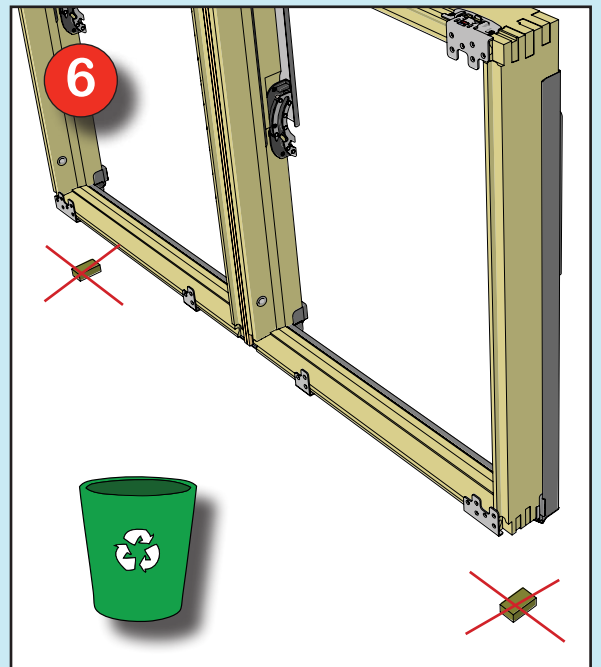
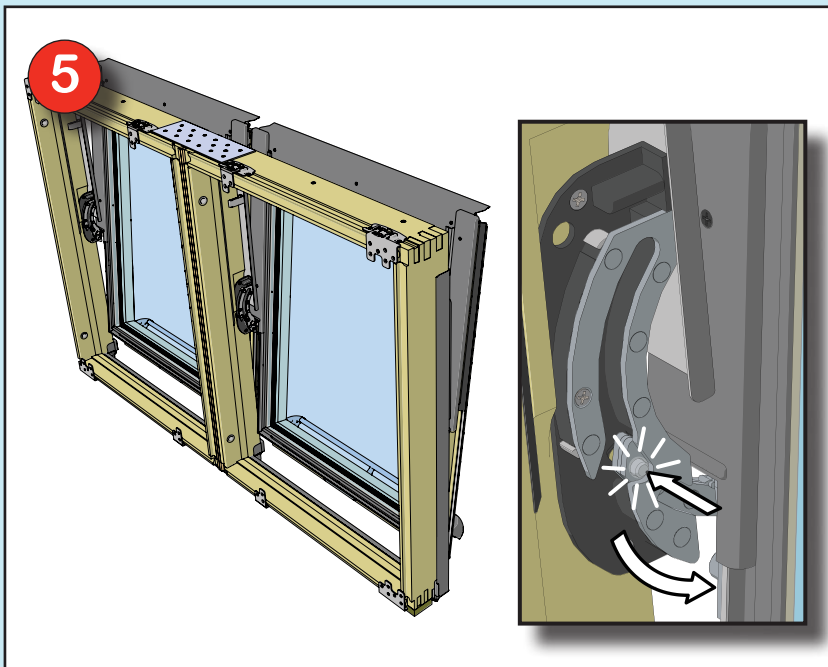
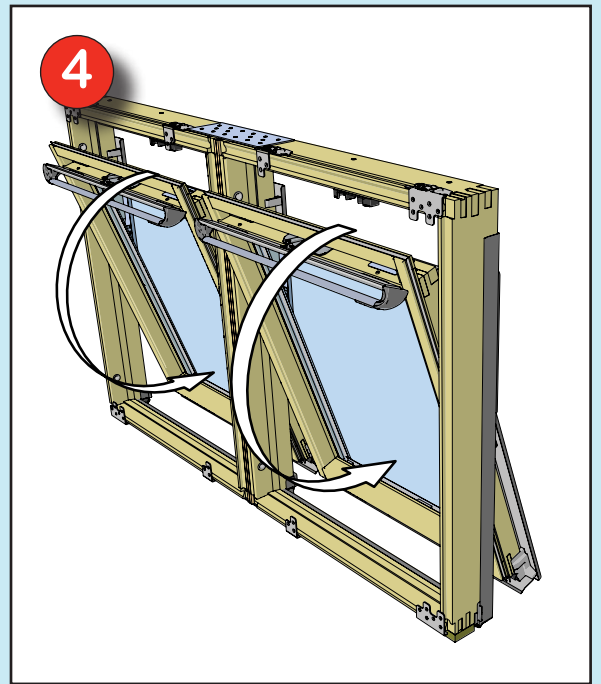
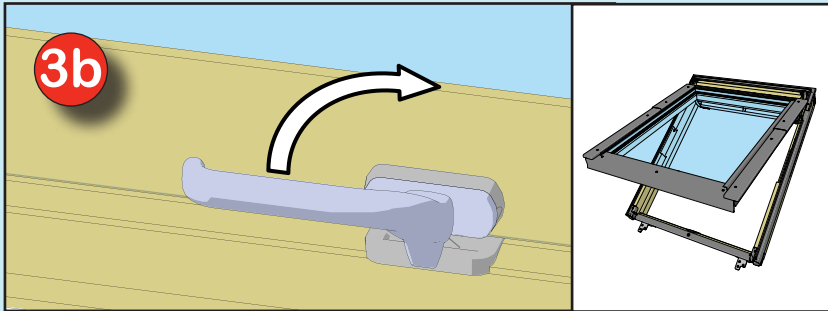
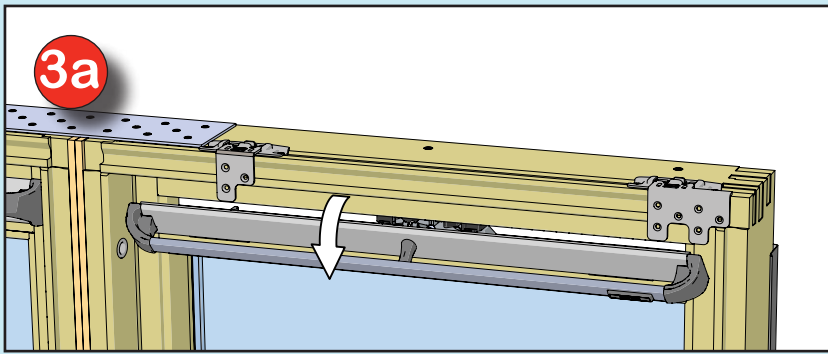
Z = 100mm

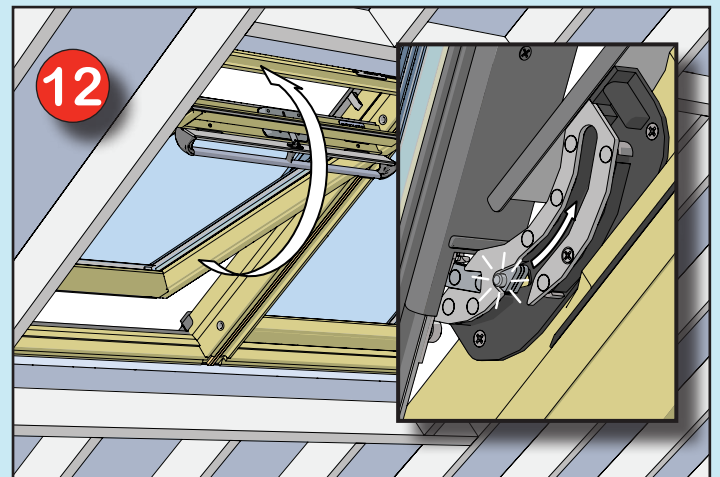
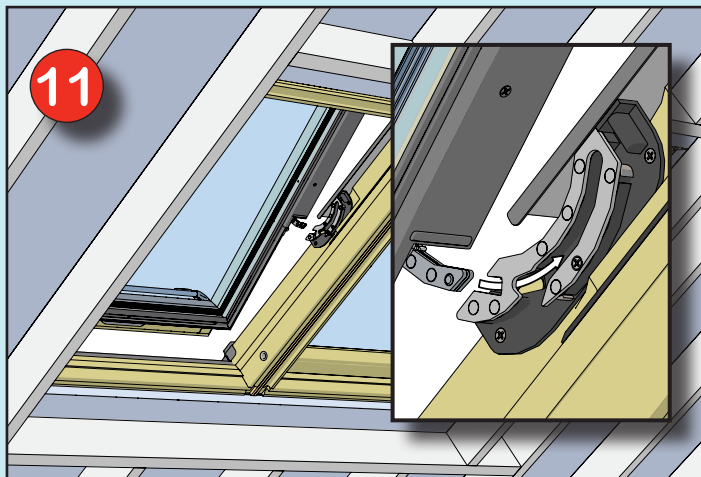
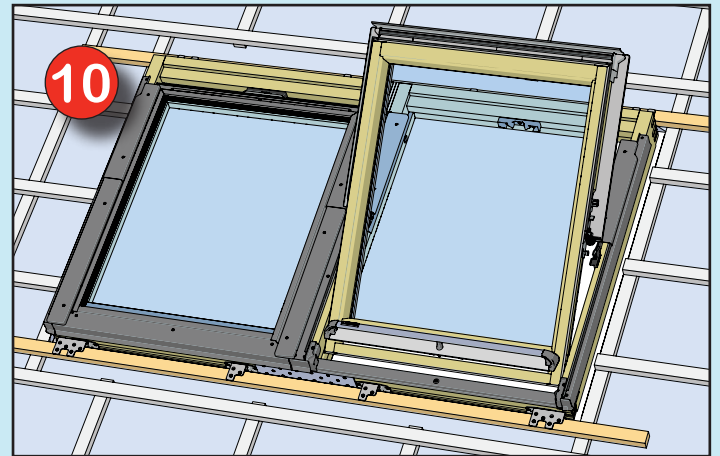
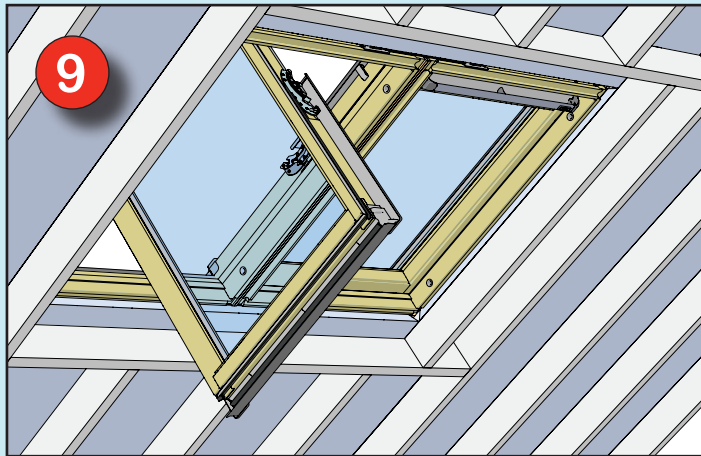
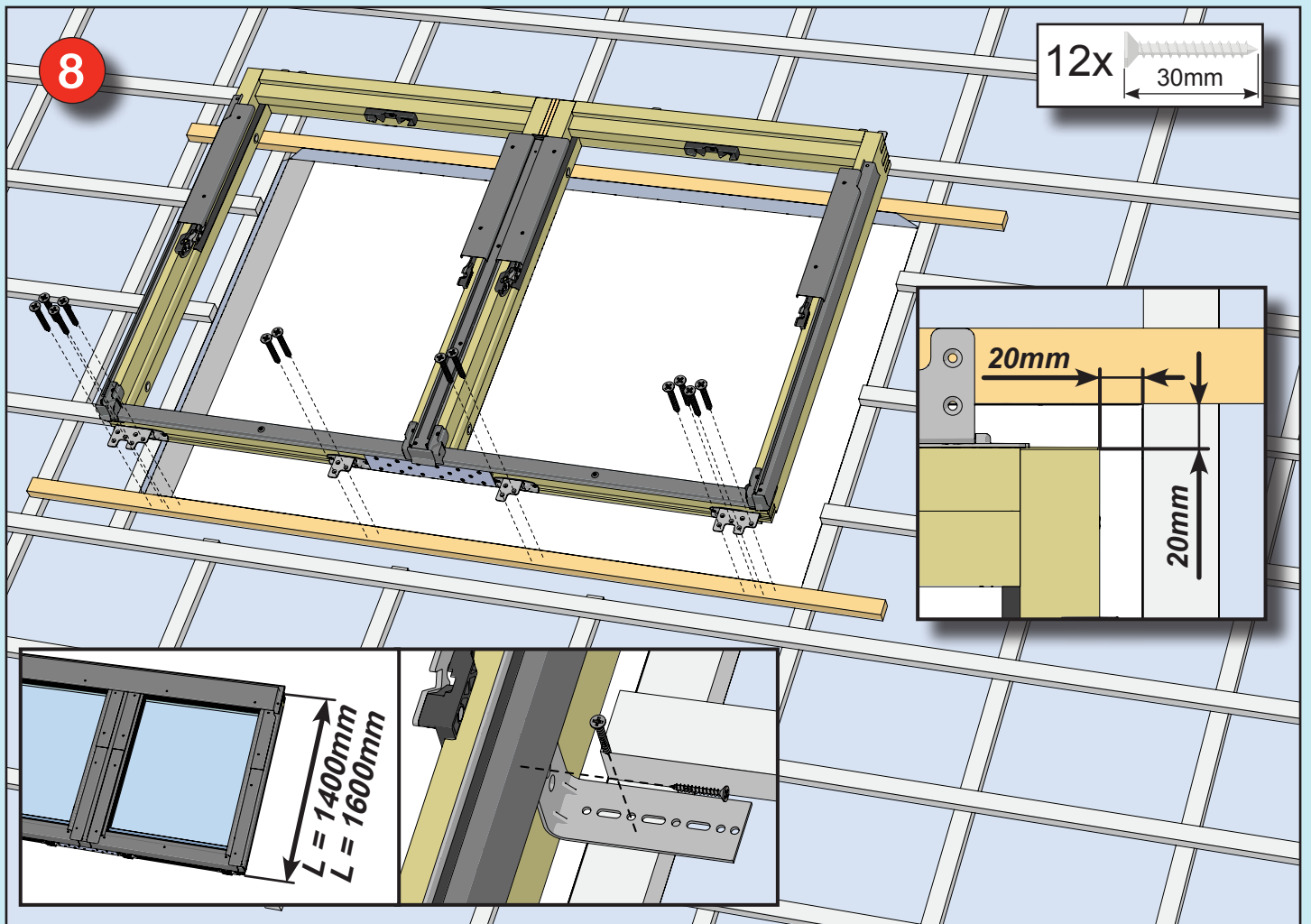


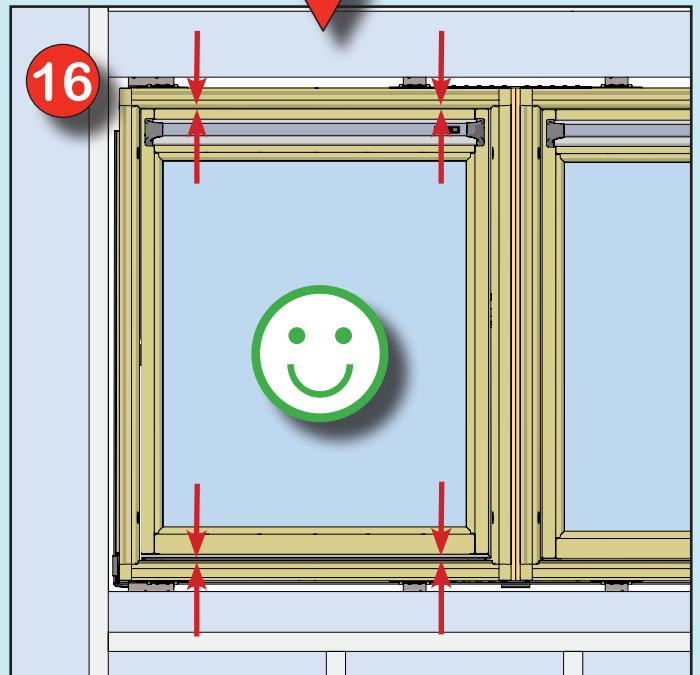
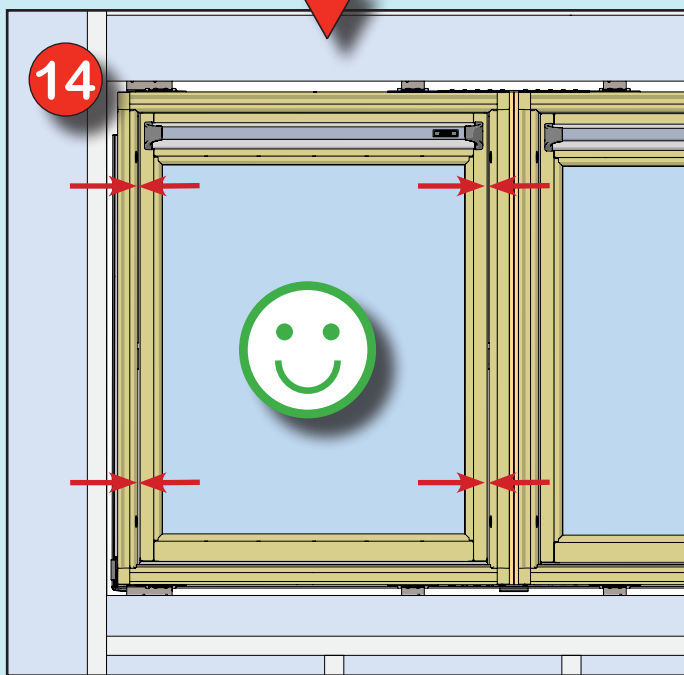
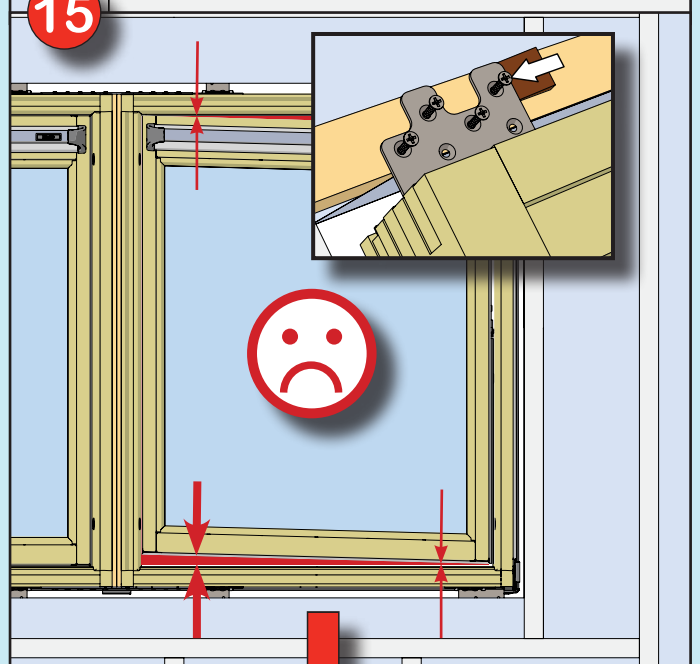
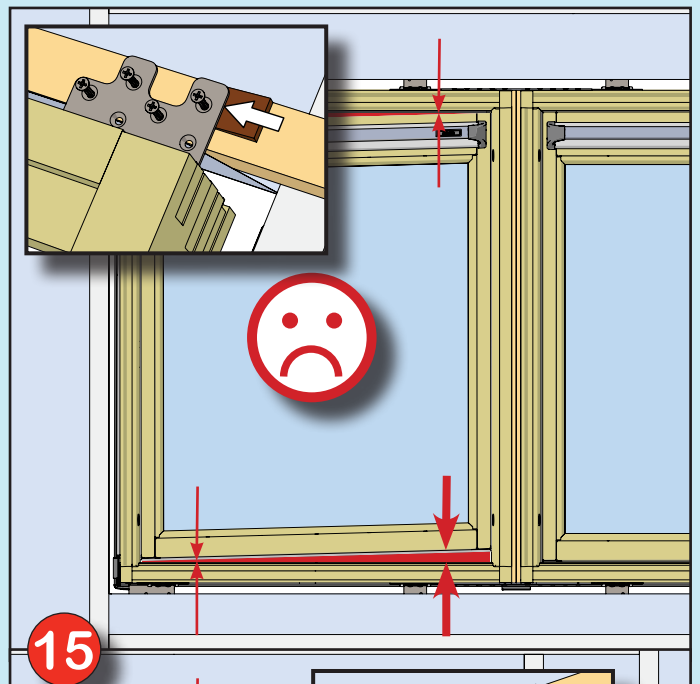
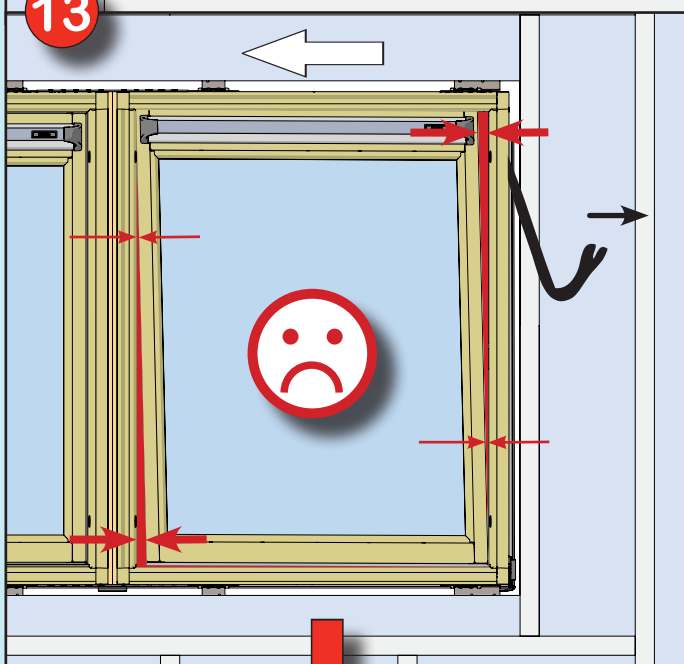
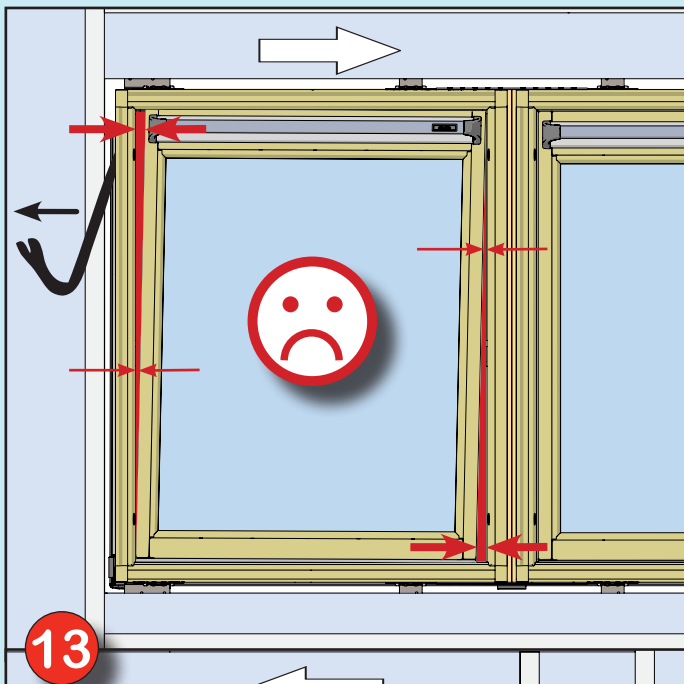
Z = 120 - 140mm

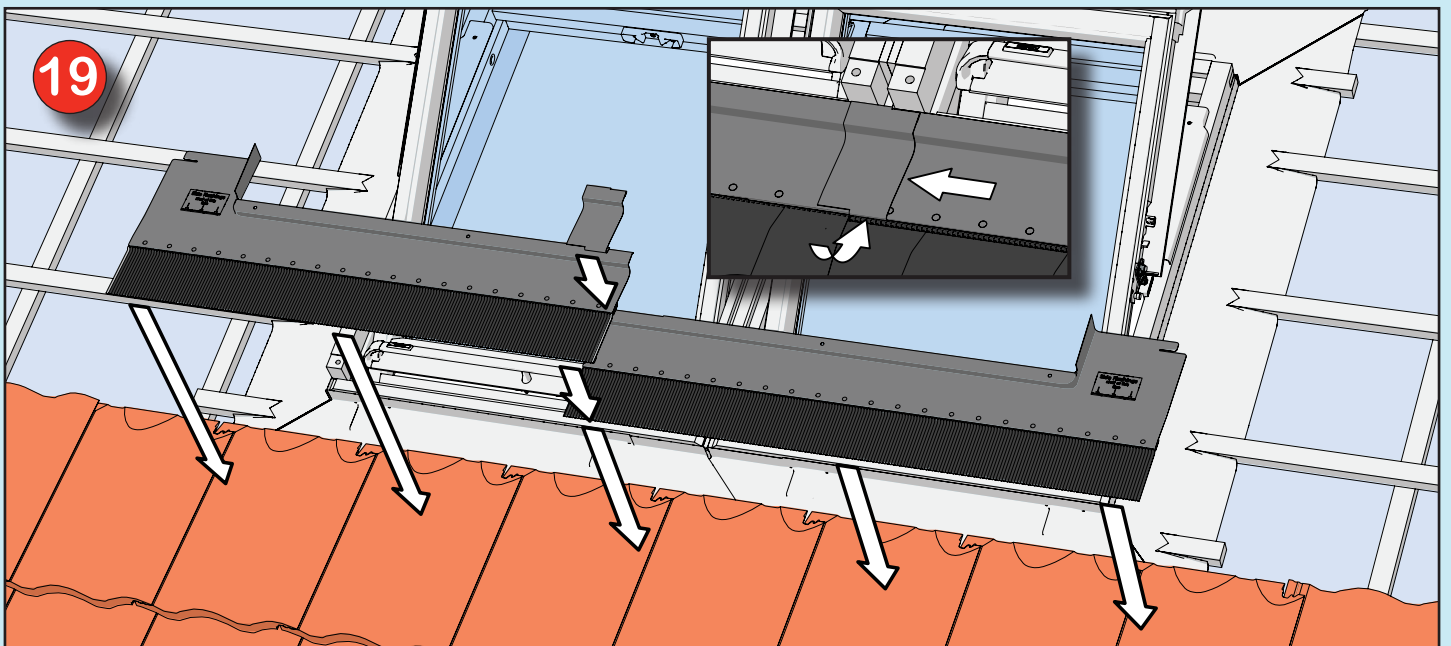
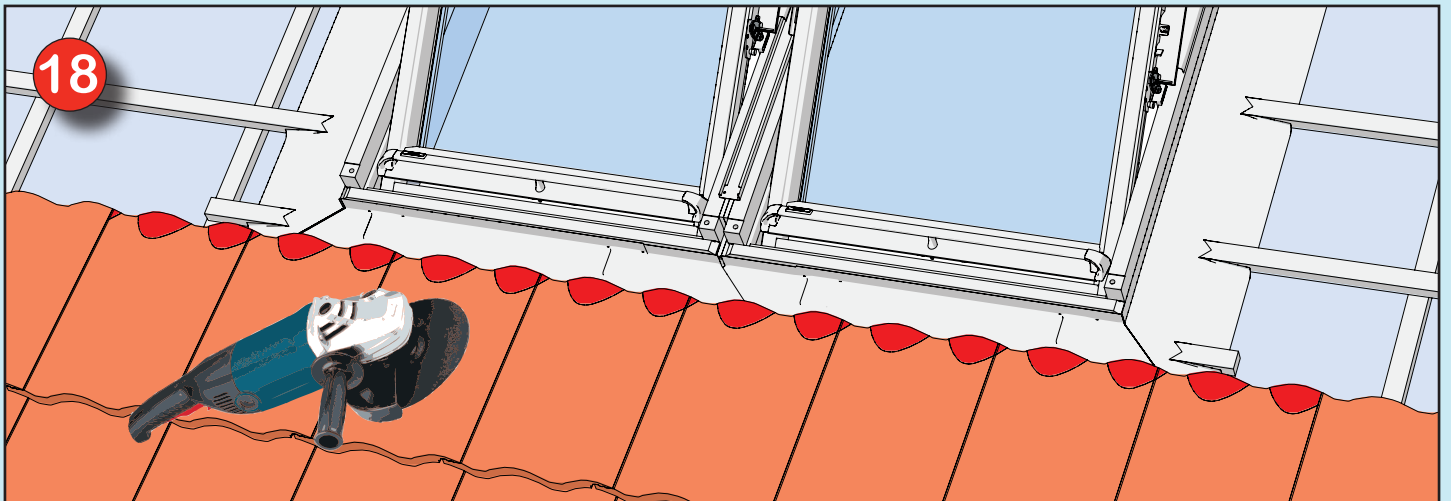
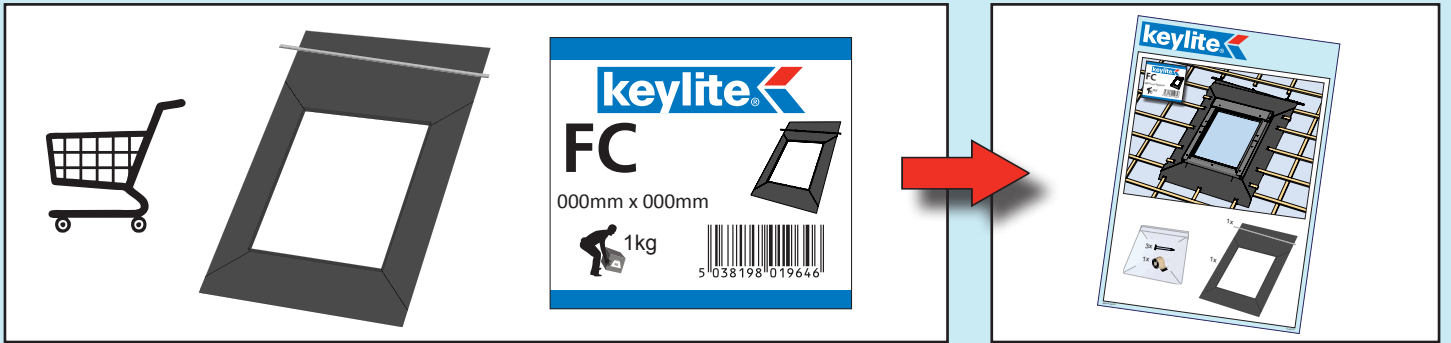
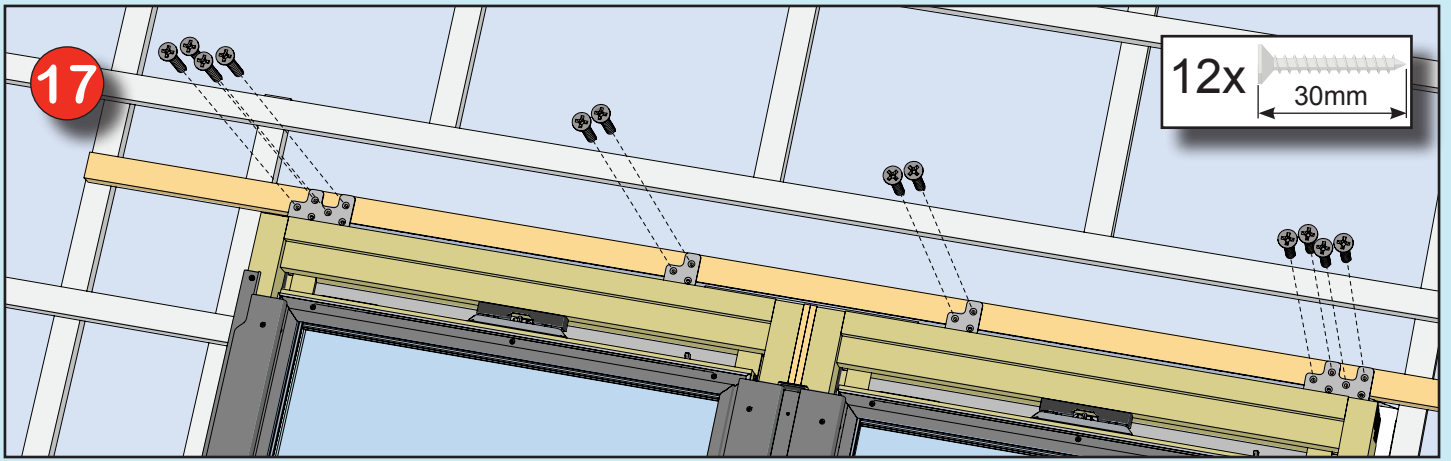


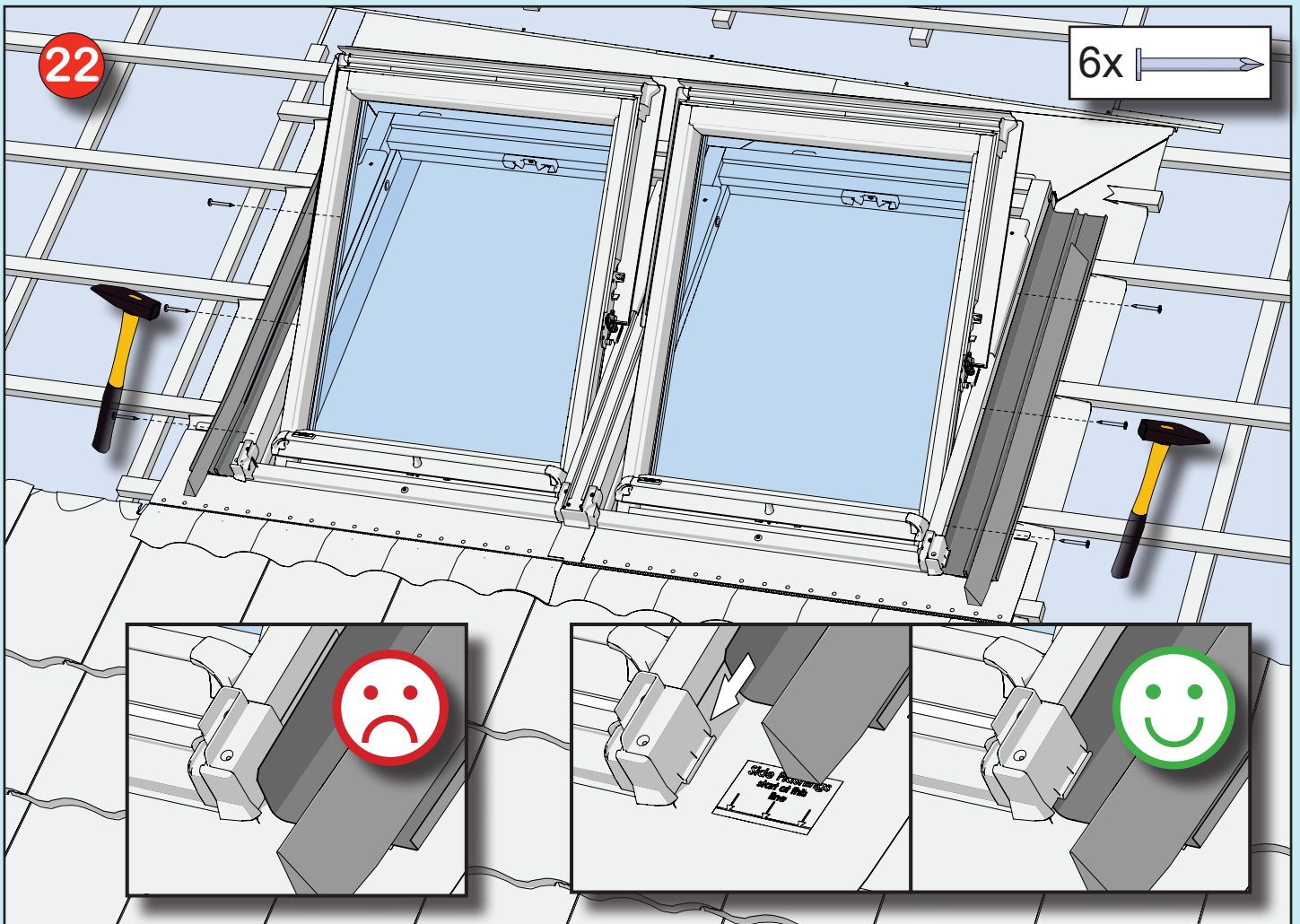
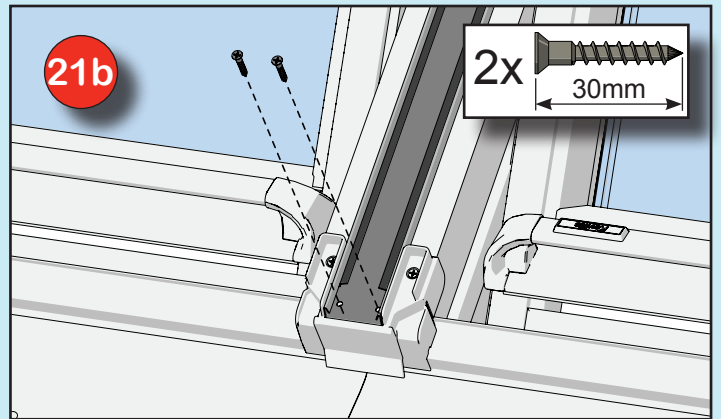
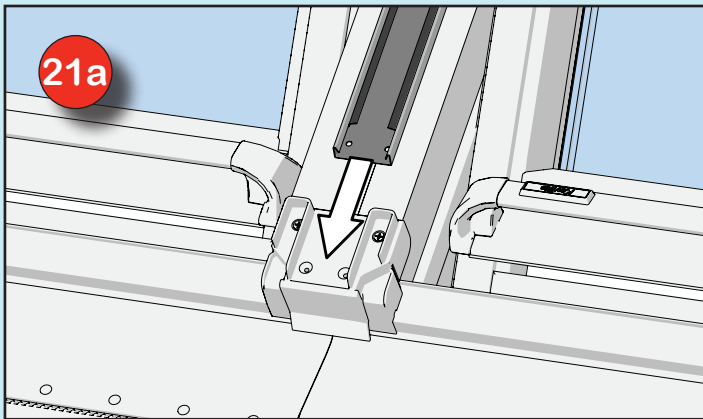
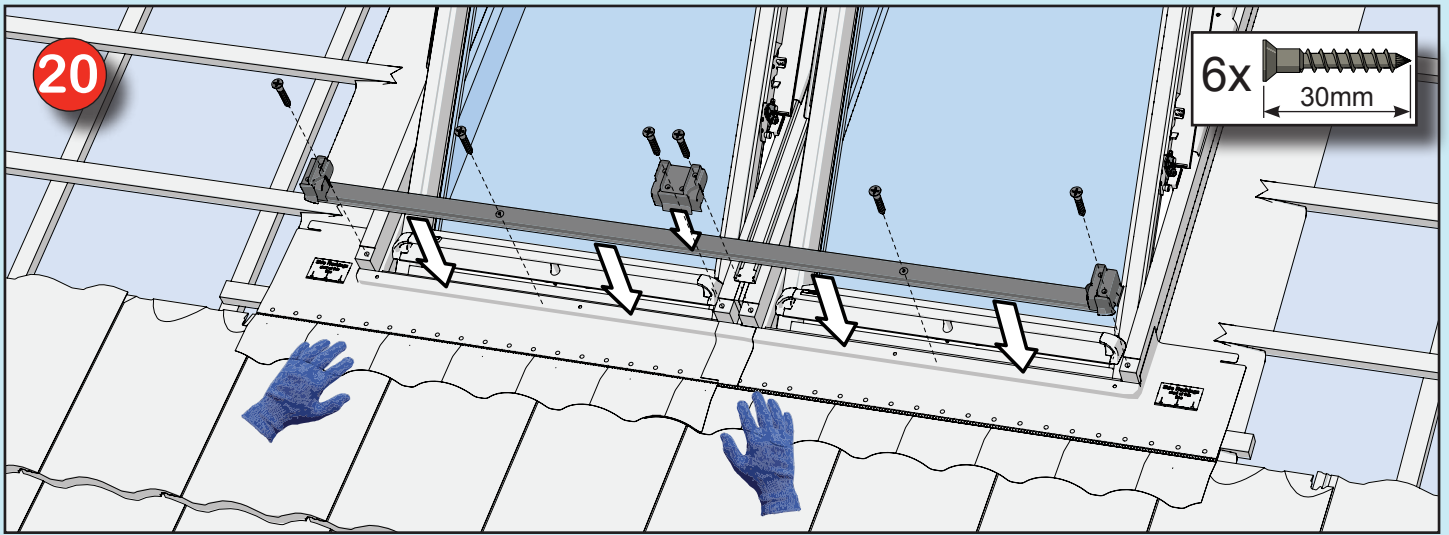




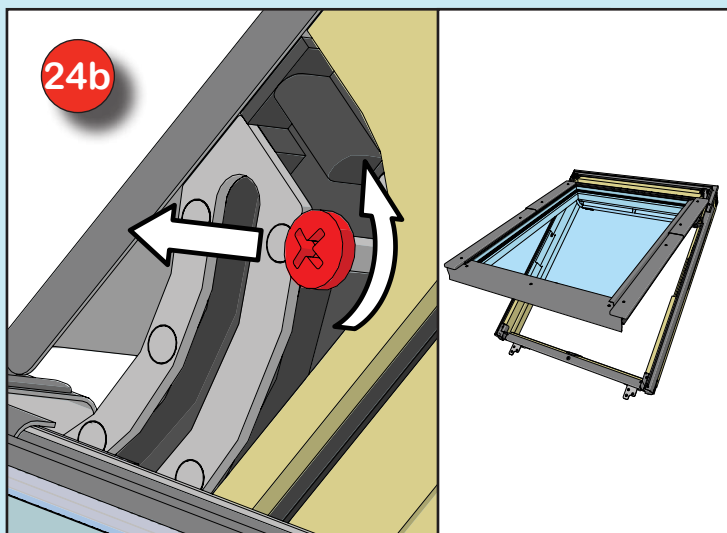
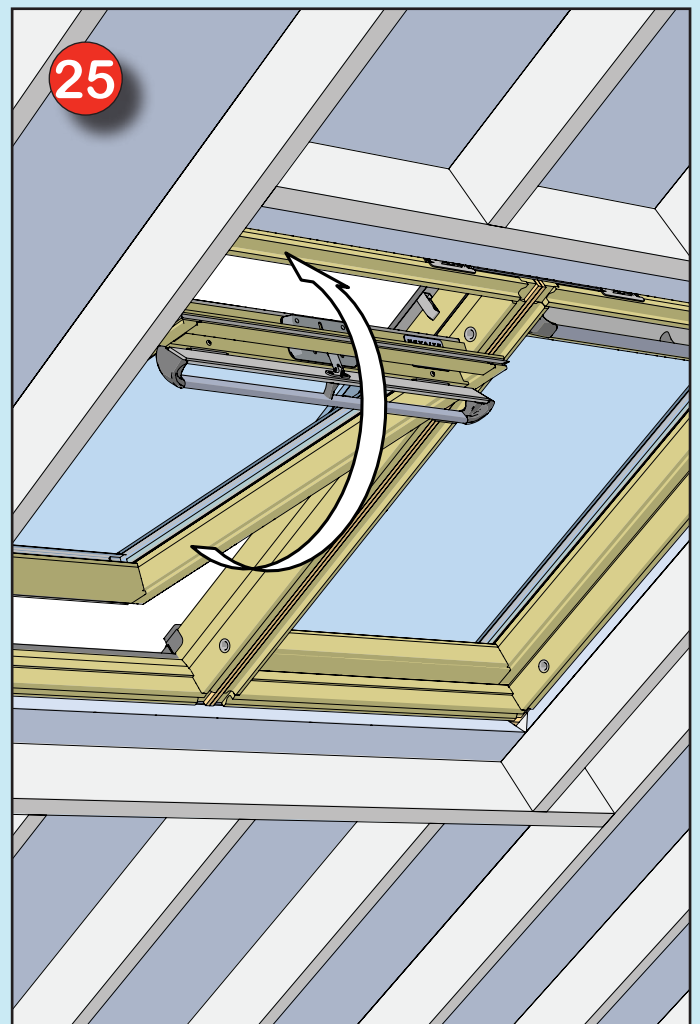
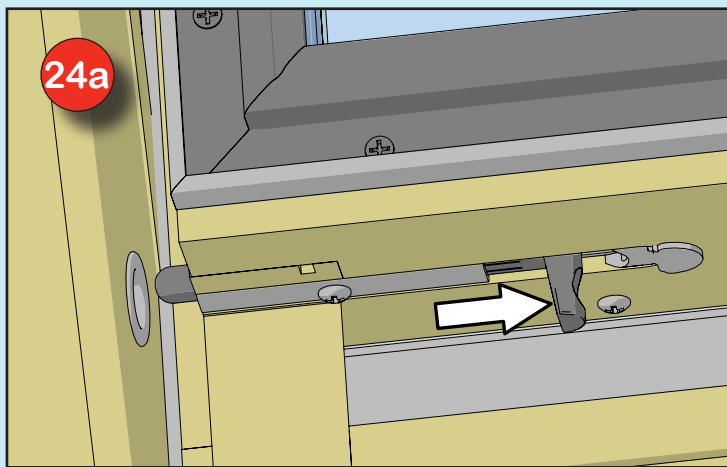
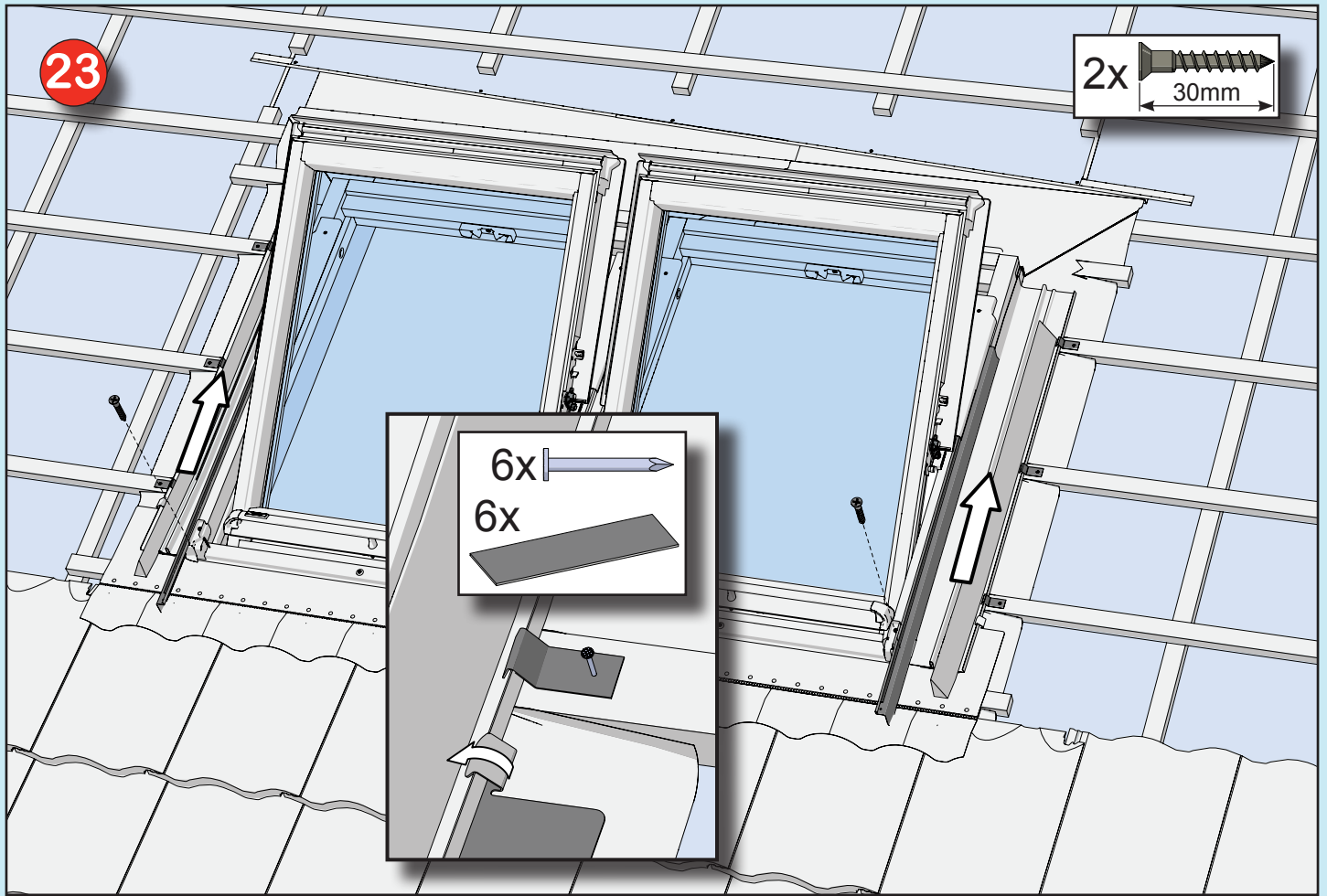


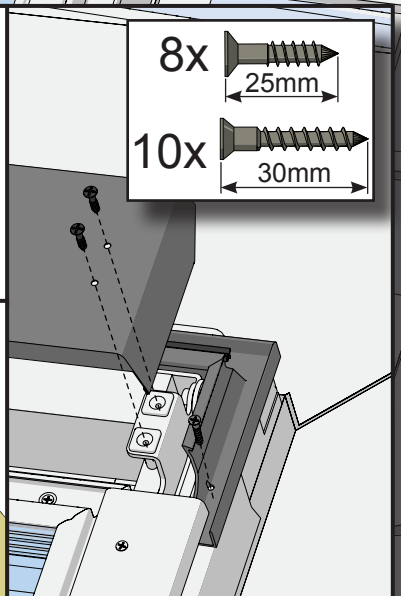
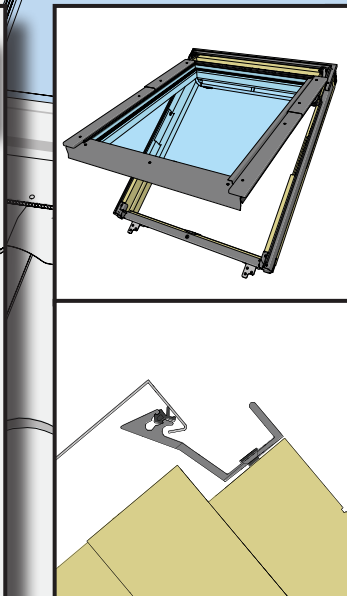
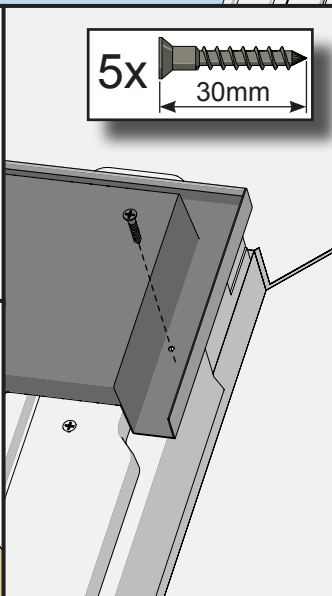
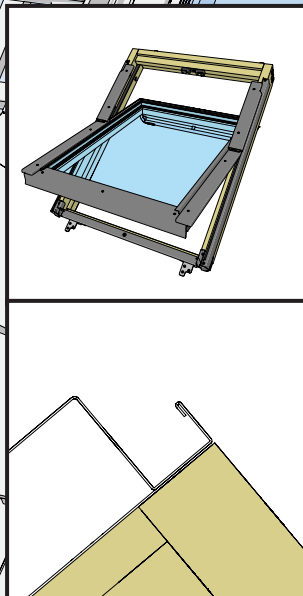
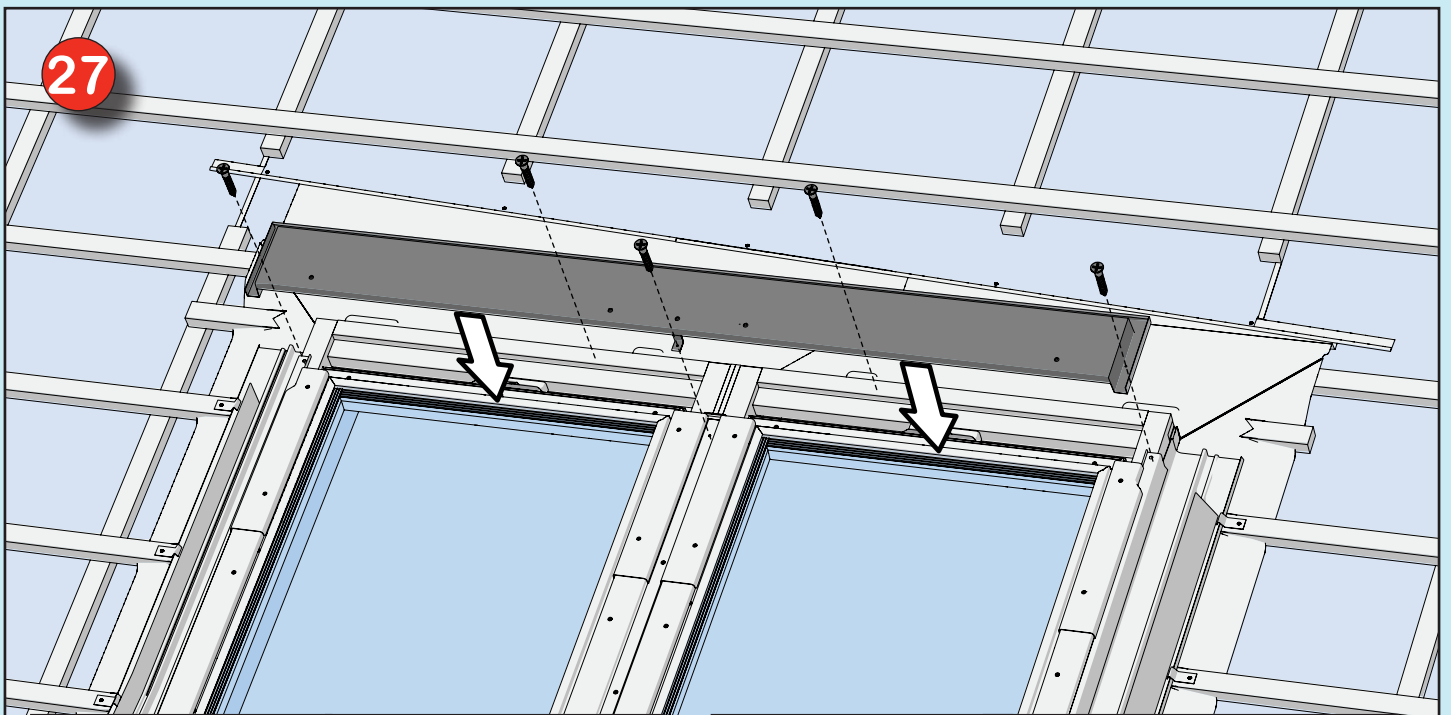
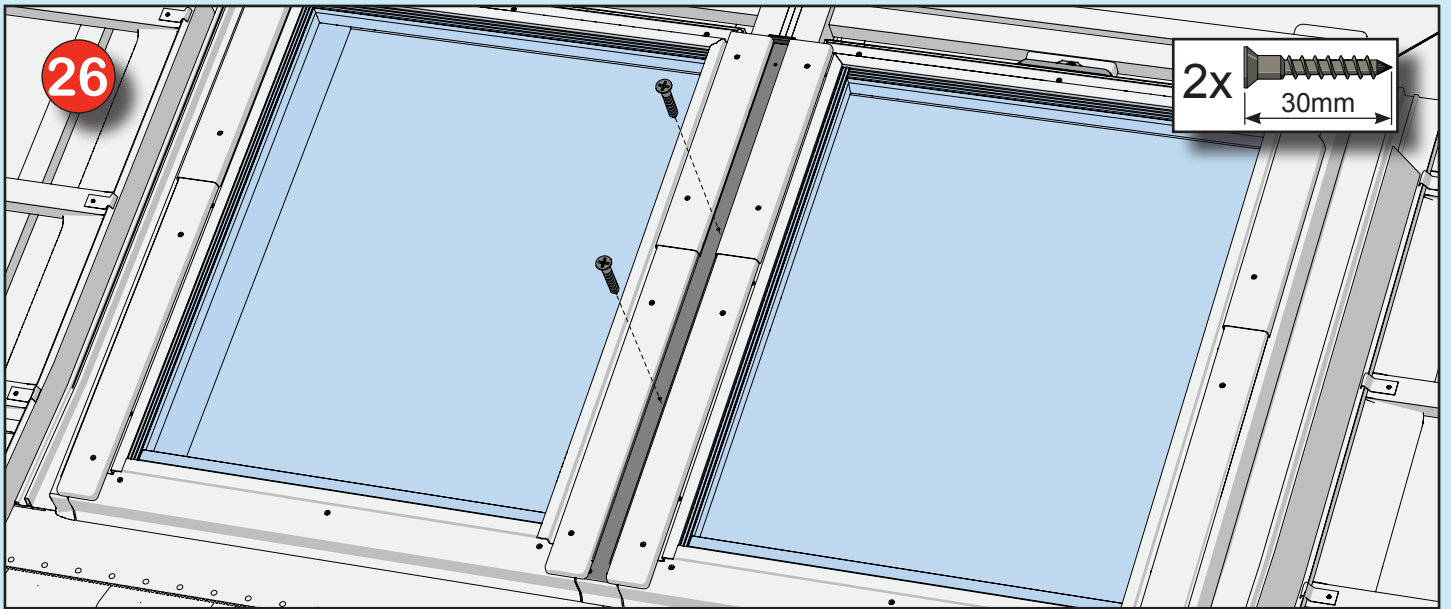




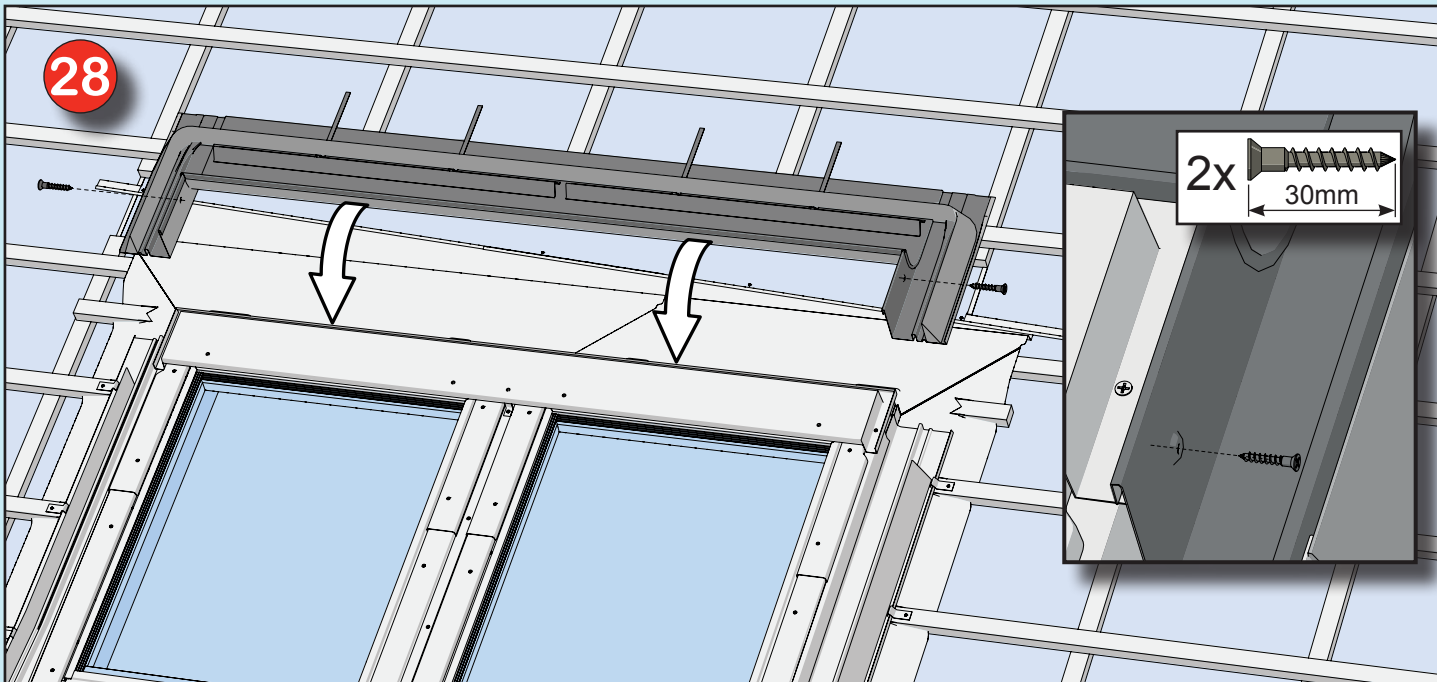




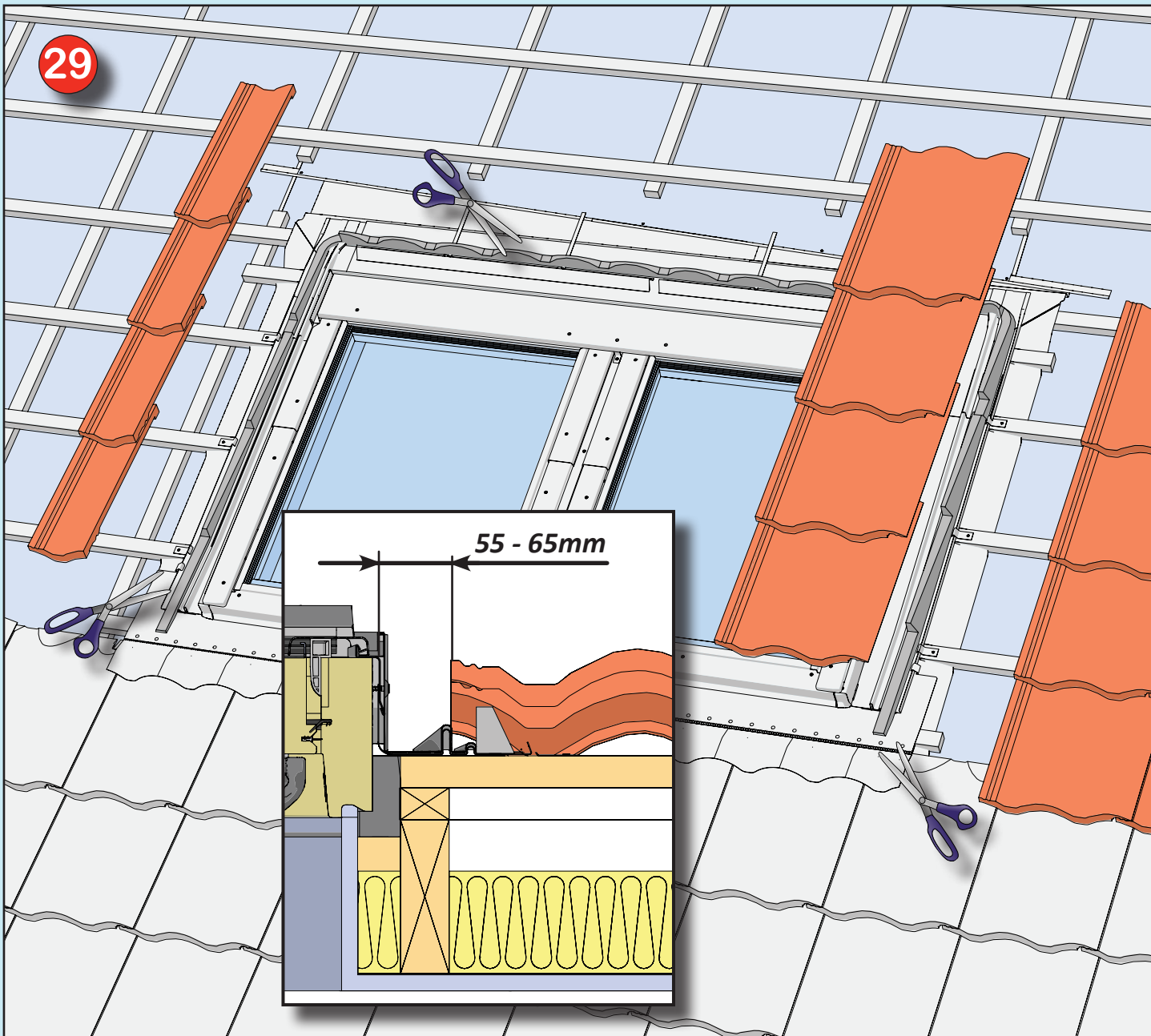




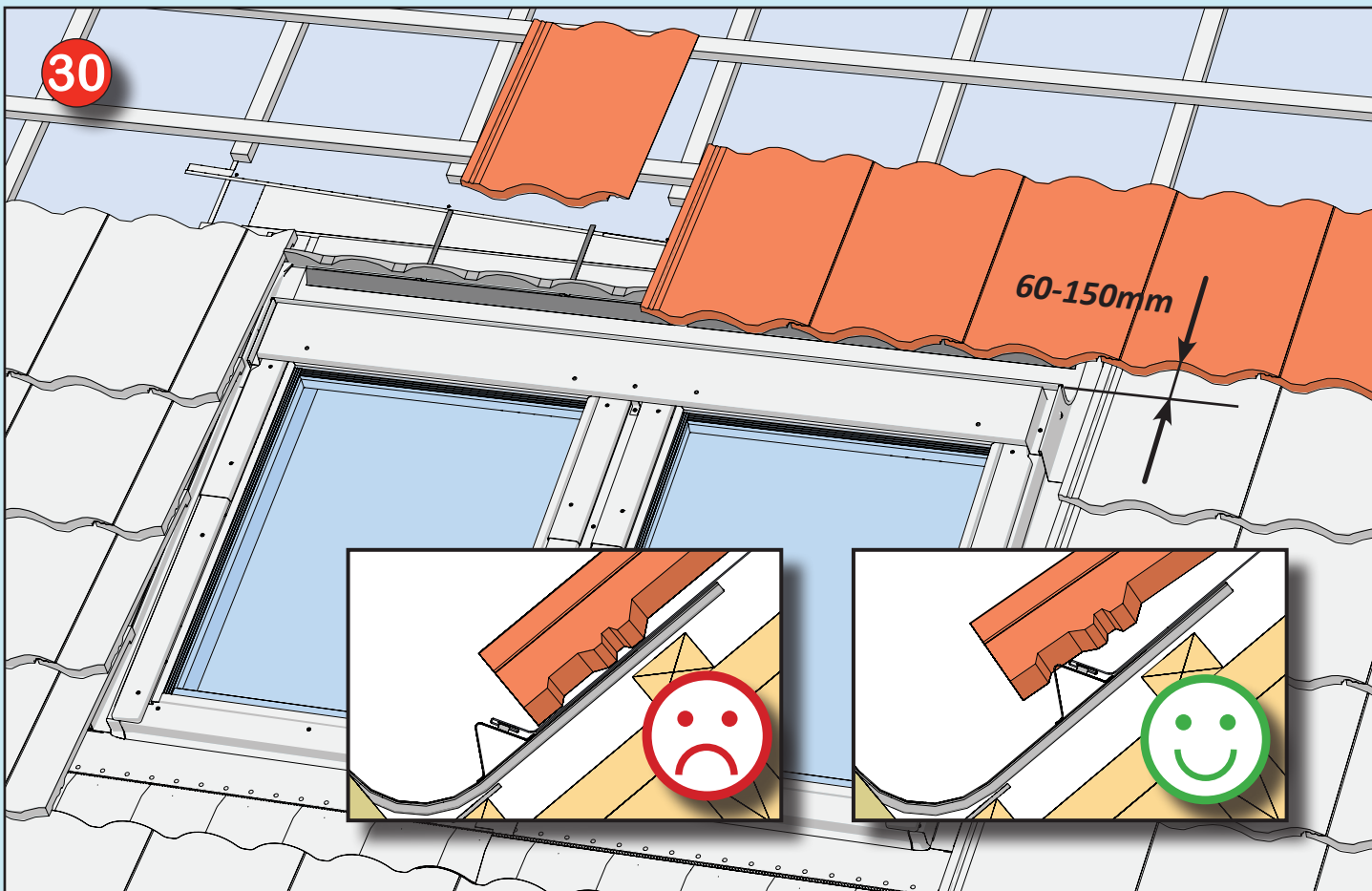
28



29



30



31

