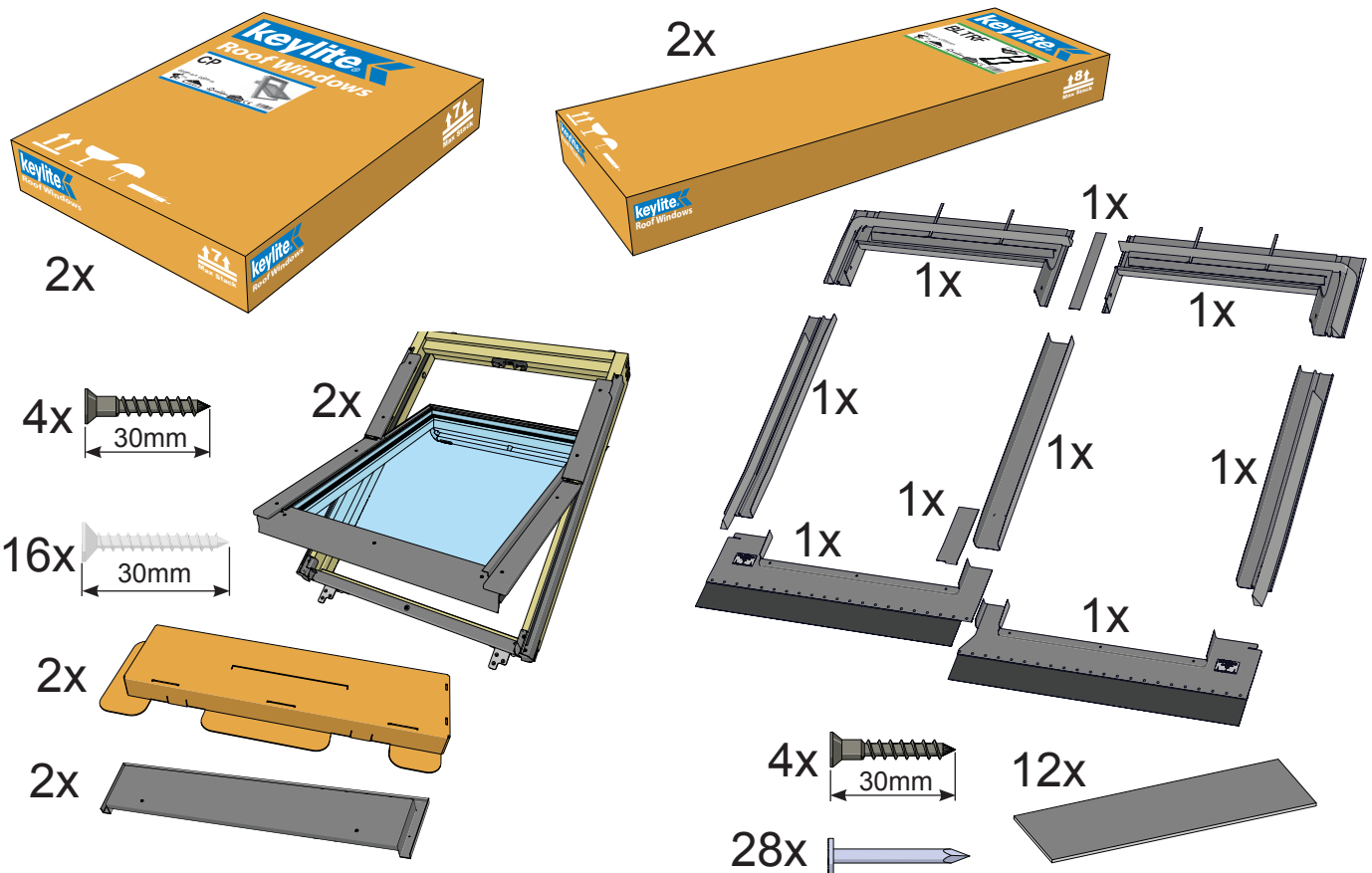


**CTRF**  
100mm Gap  
000mm x 000mm  
00kg 00°-00° 100% BBA CE

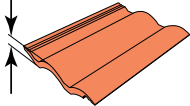
15 - 45mm  
20° - 90°

15 - 90mm  
15° - 90°

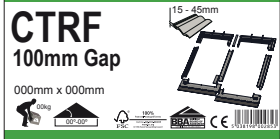
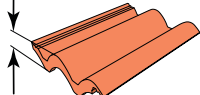
**CDTRF**  
100mm Gap  
000mm x 000mm  
00kg 00°-00° 100% BBA CE



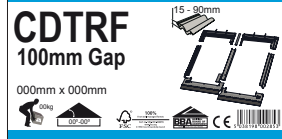
15 - 45mm



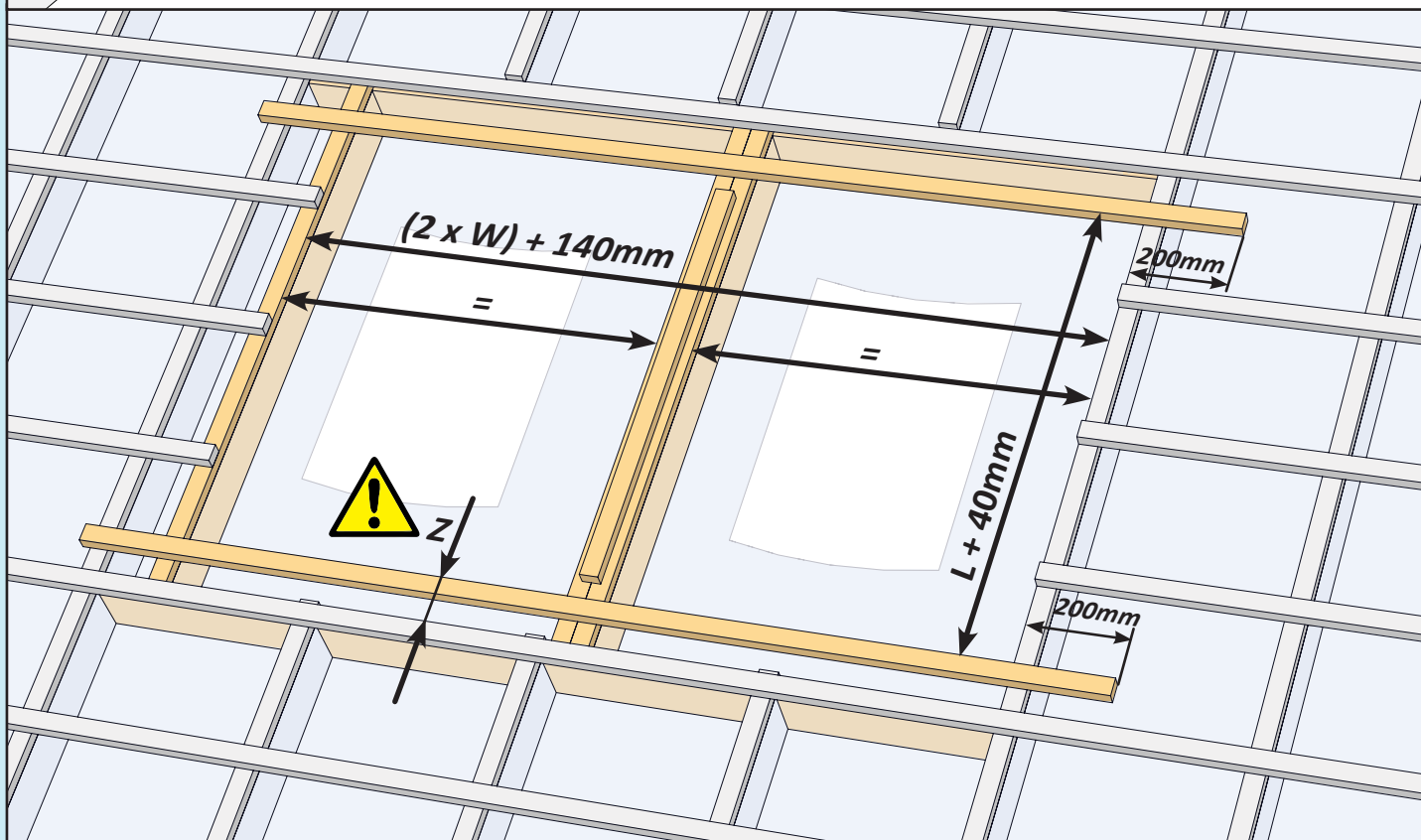
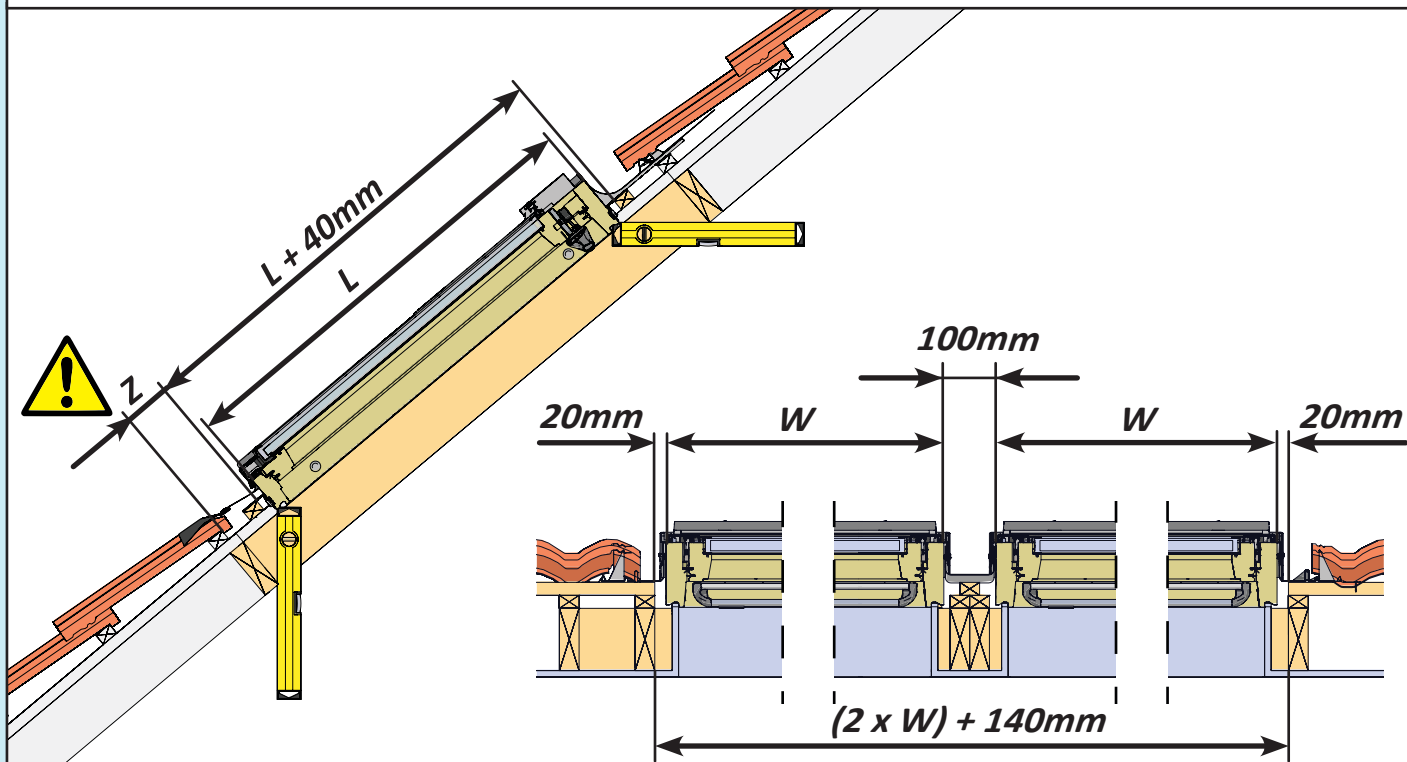
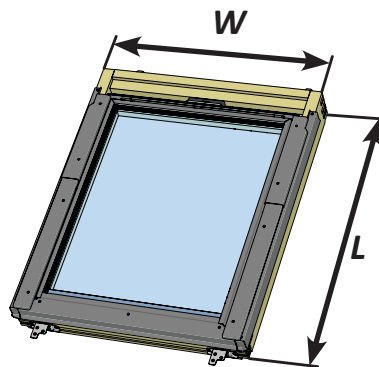
15 - 90mm

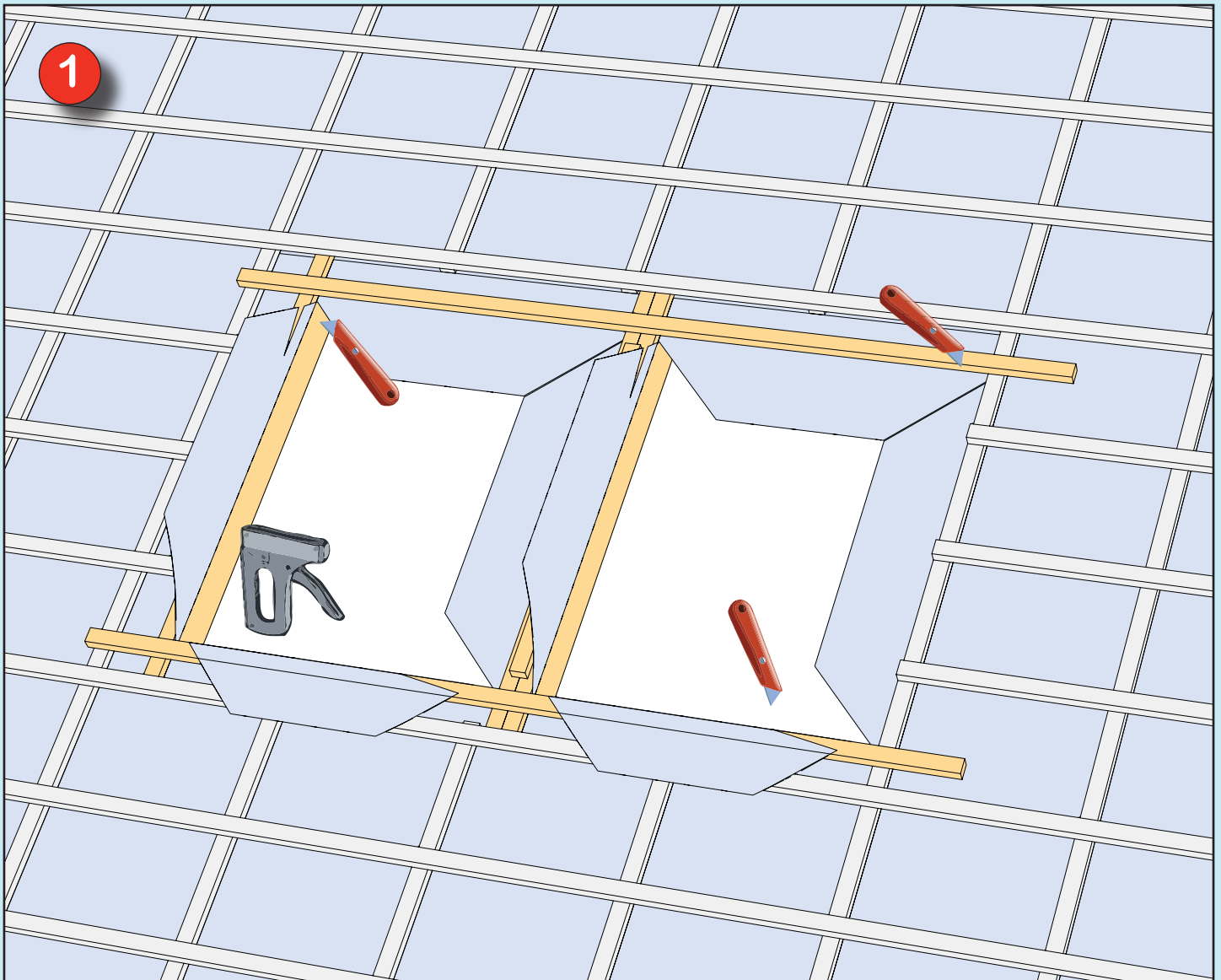
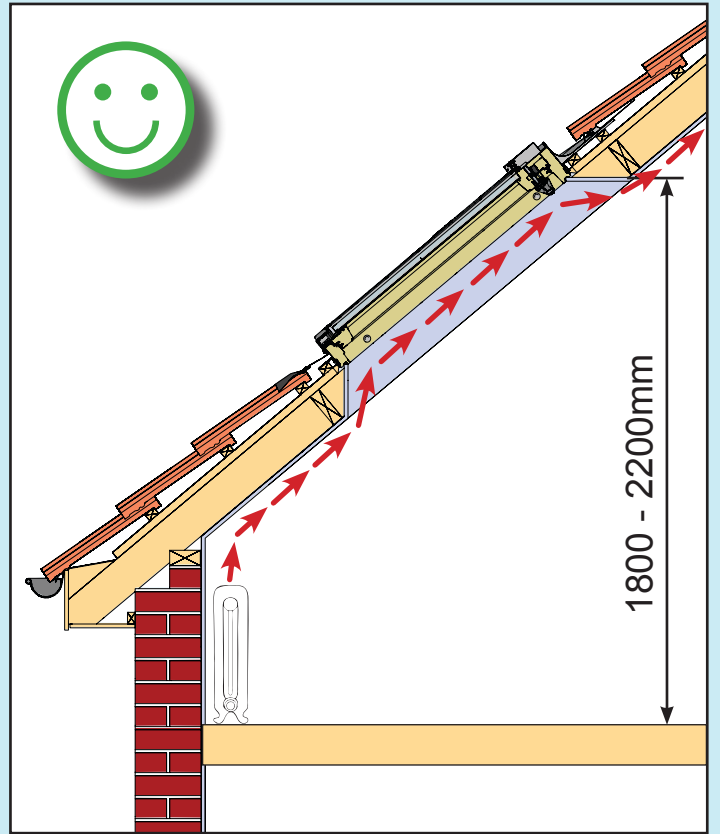
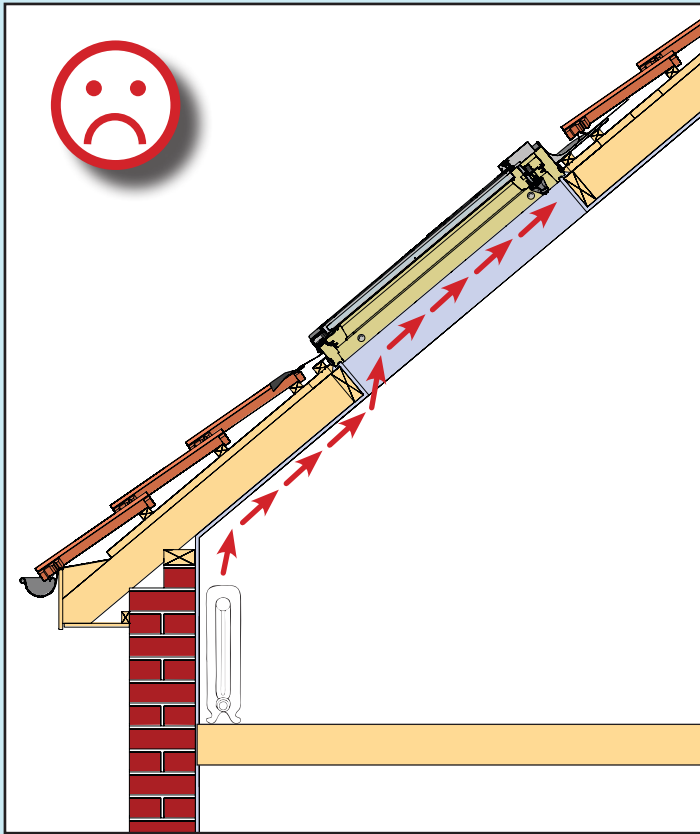


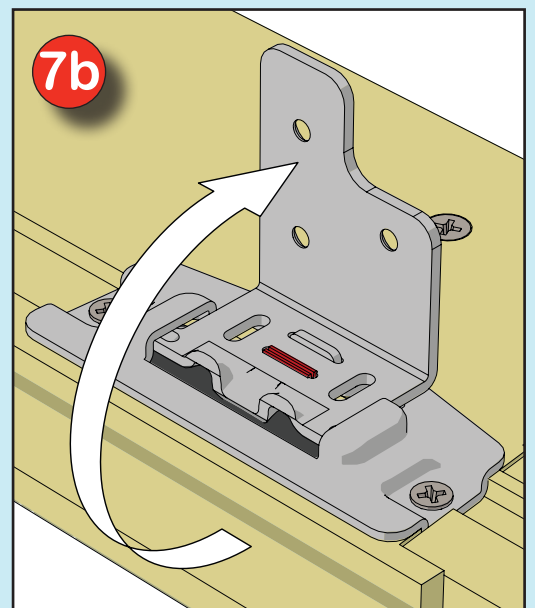
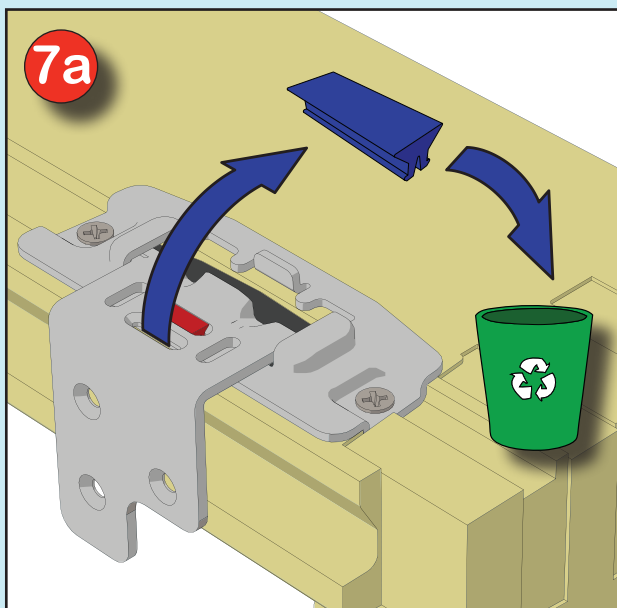
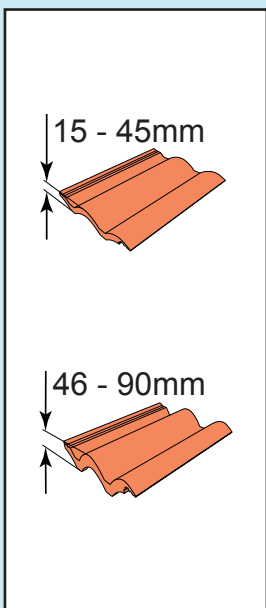
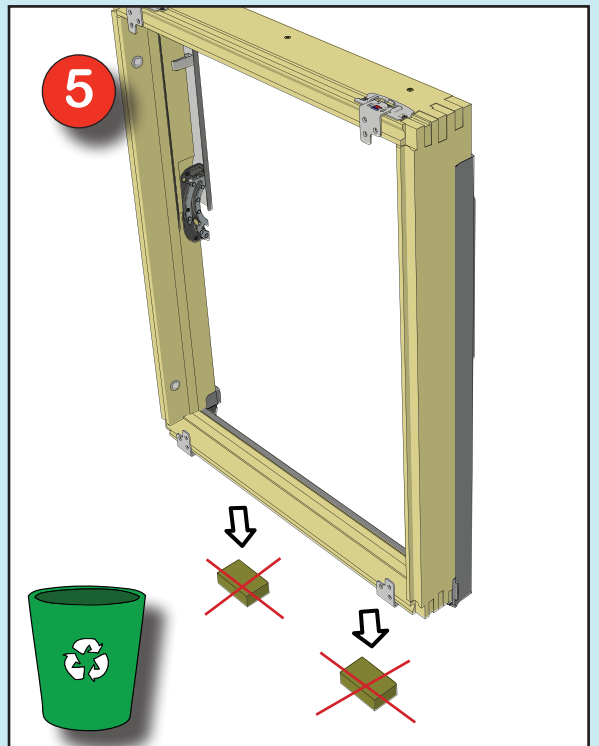
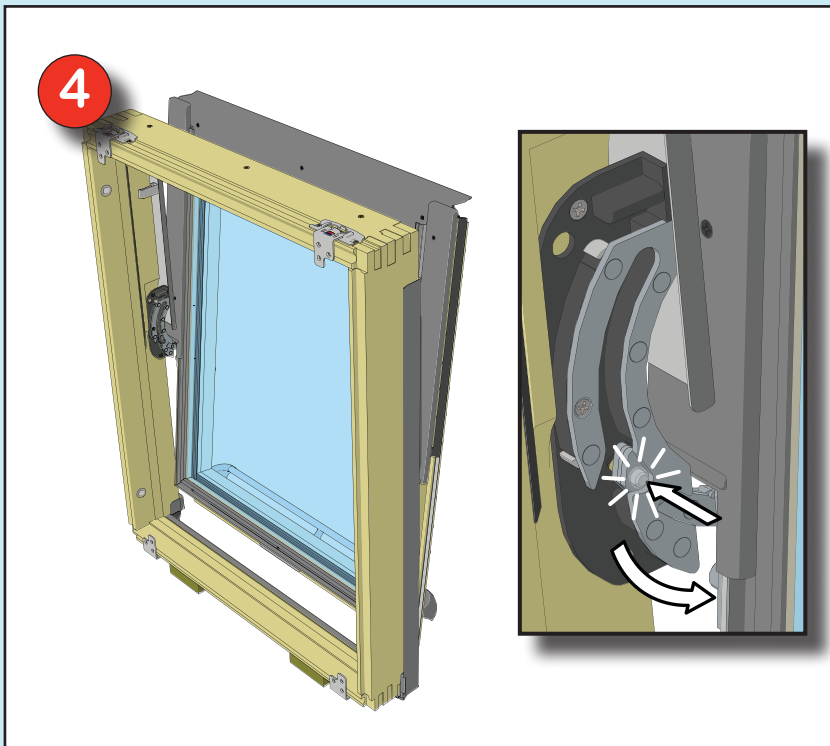
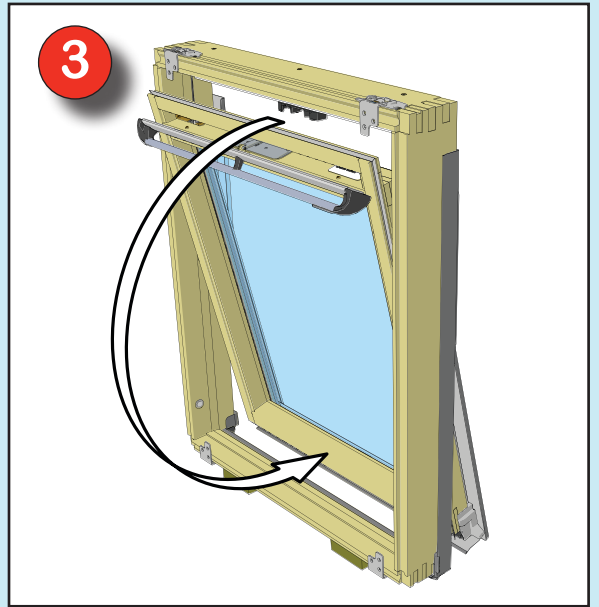
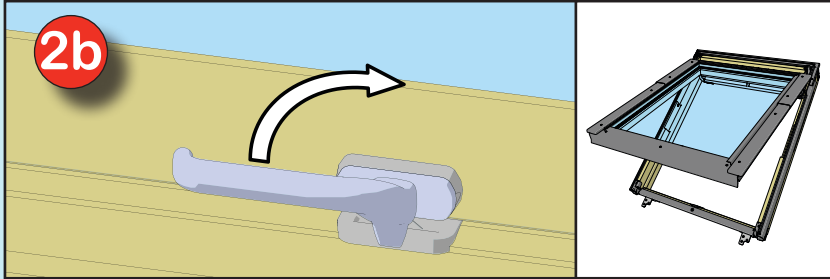
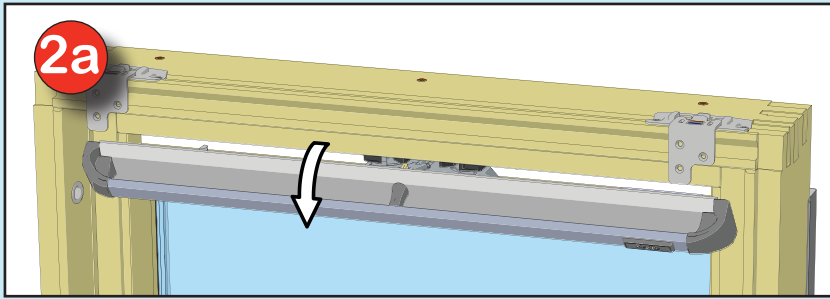
Z = 100mm

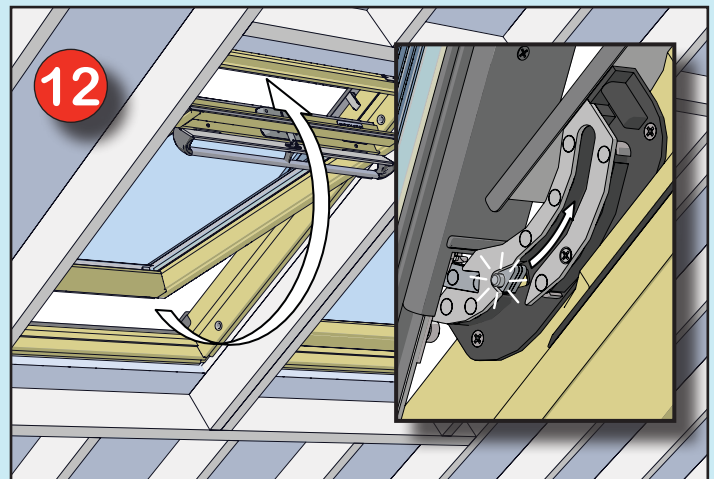
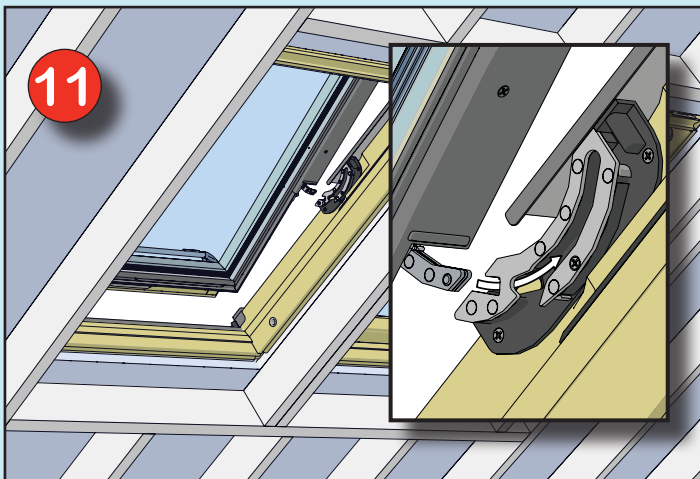
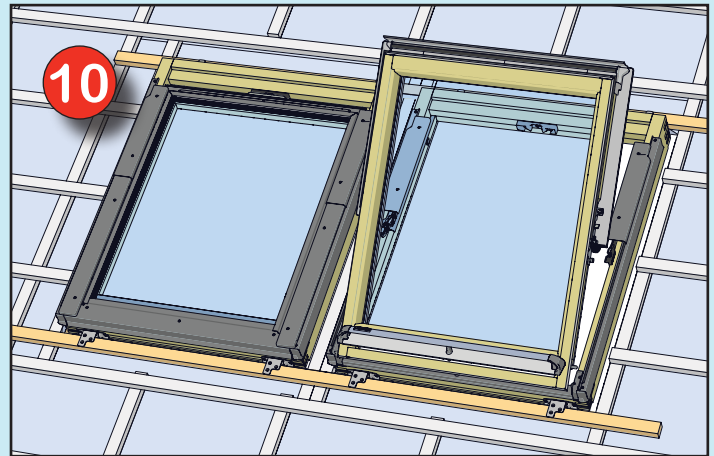
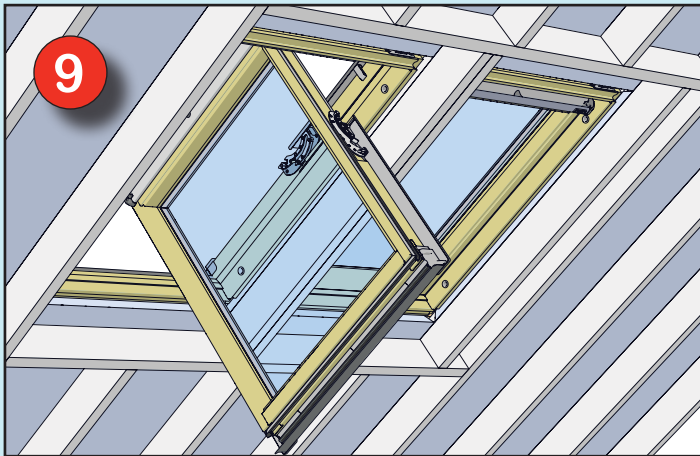
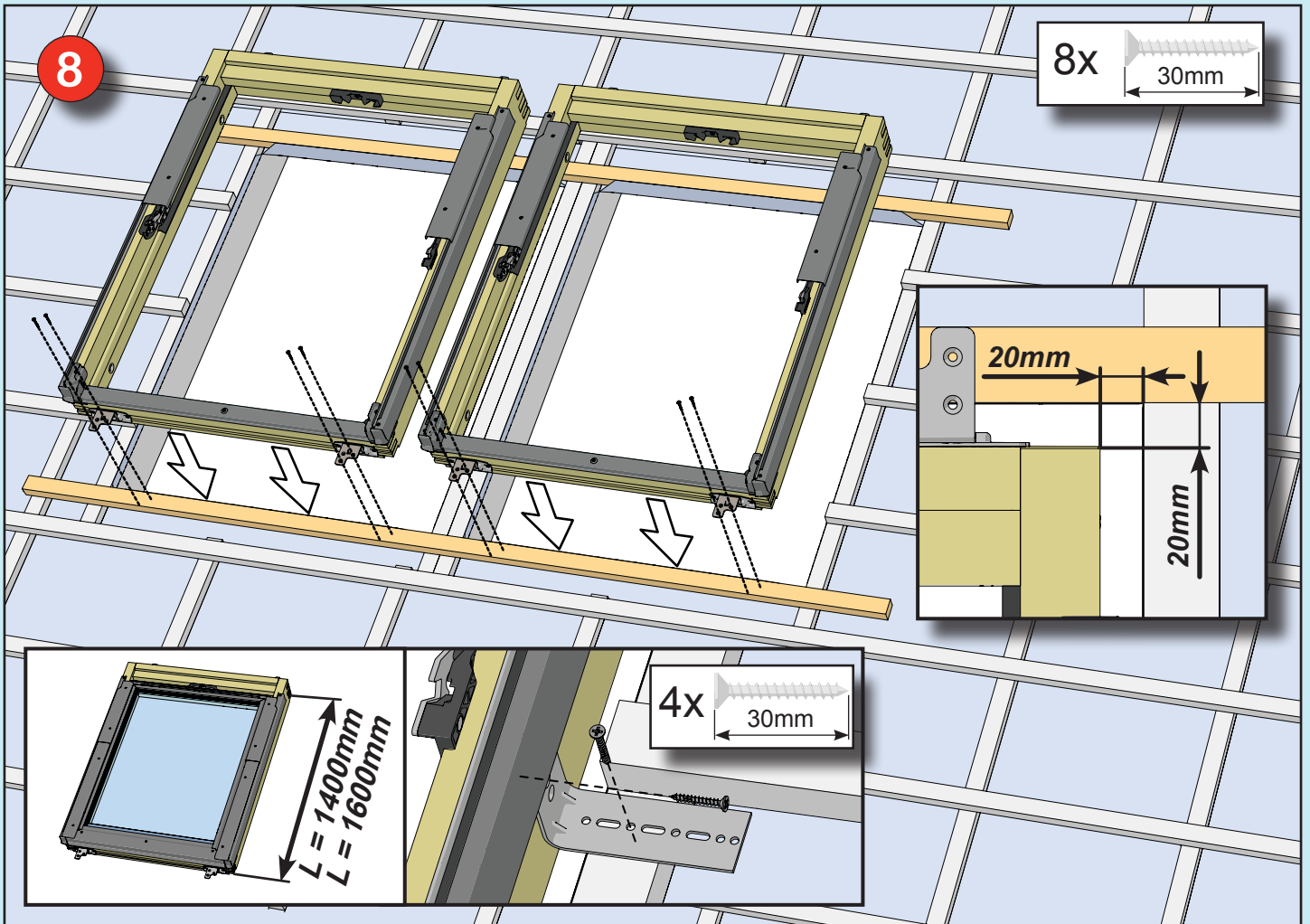


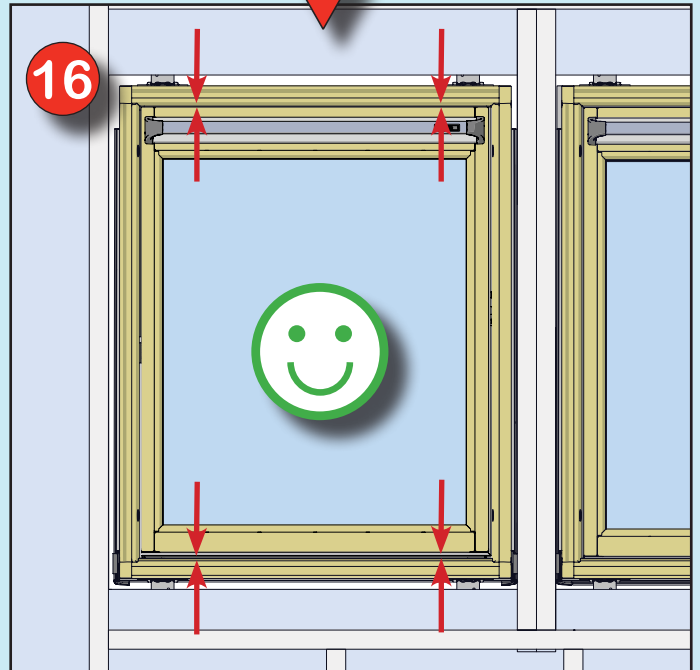
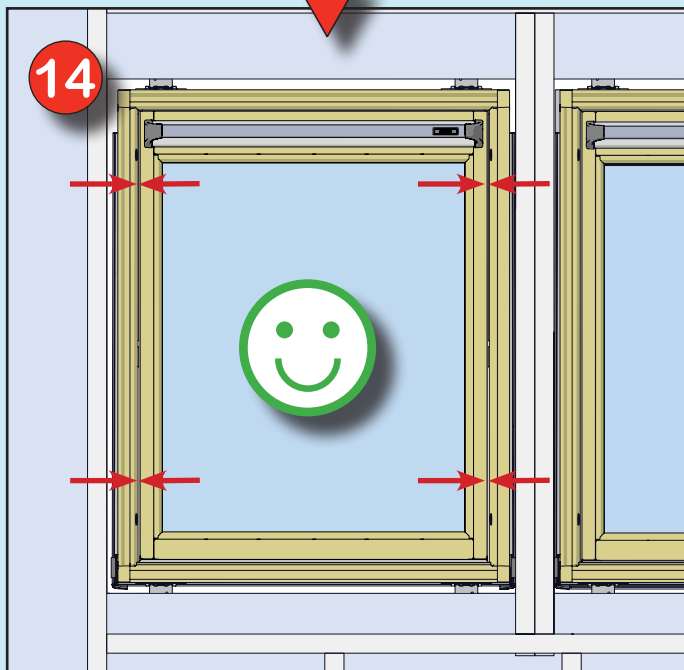
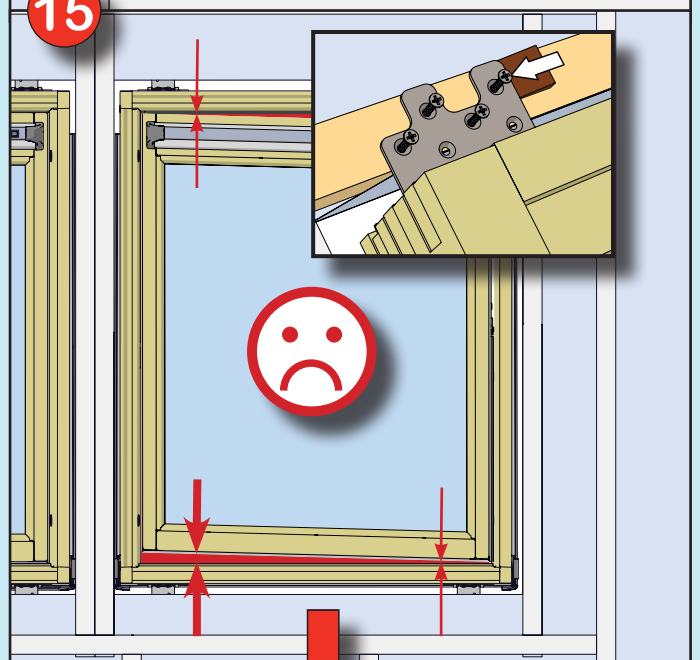
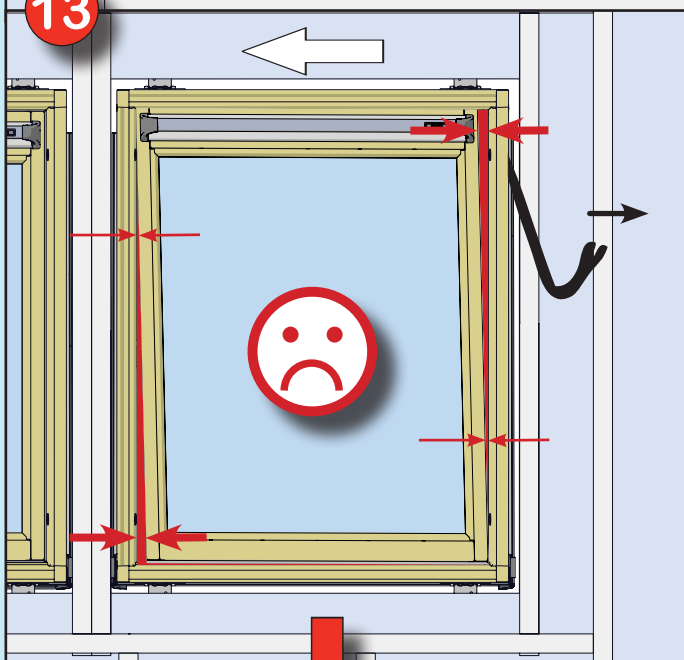
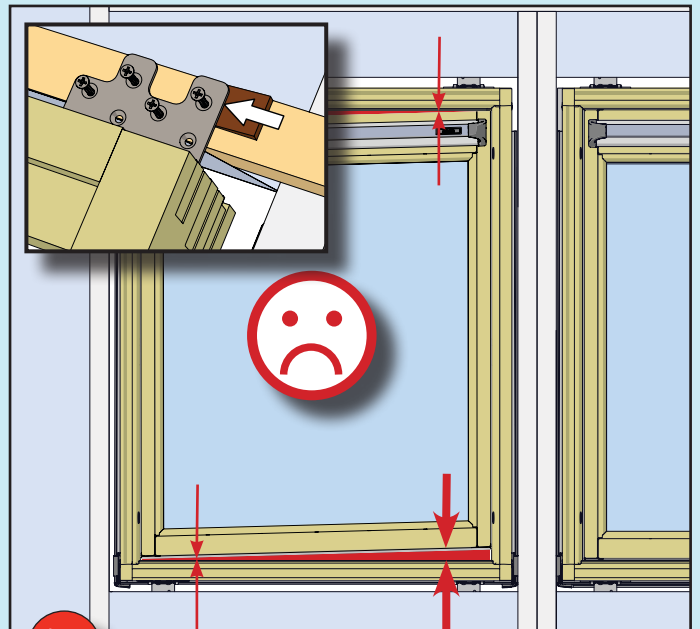
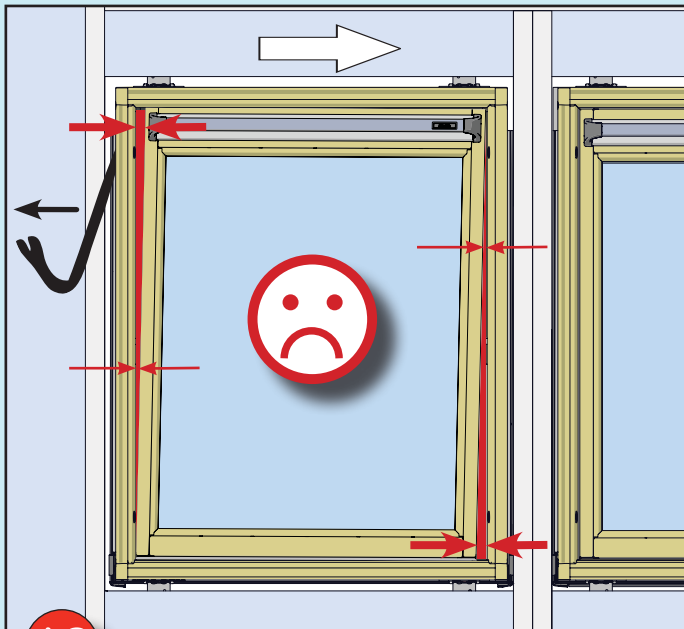
Z = 120 - 140mm

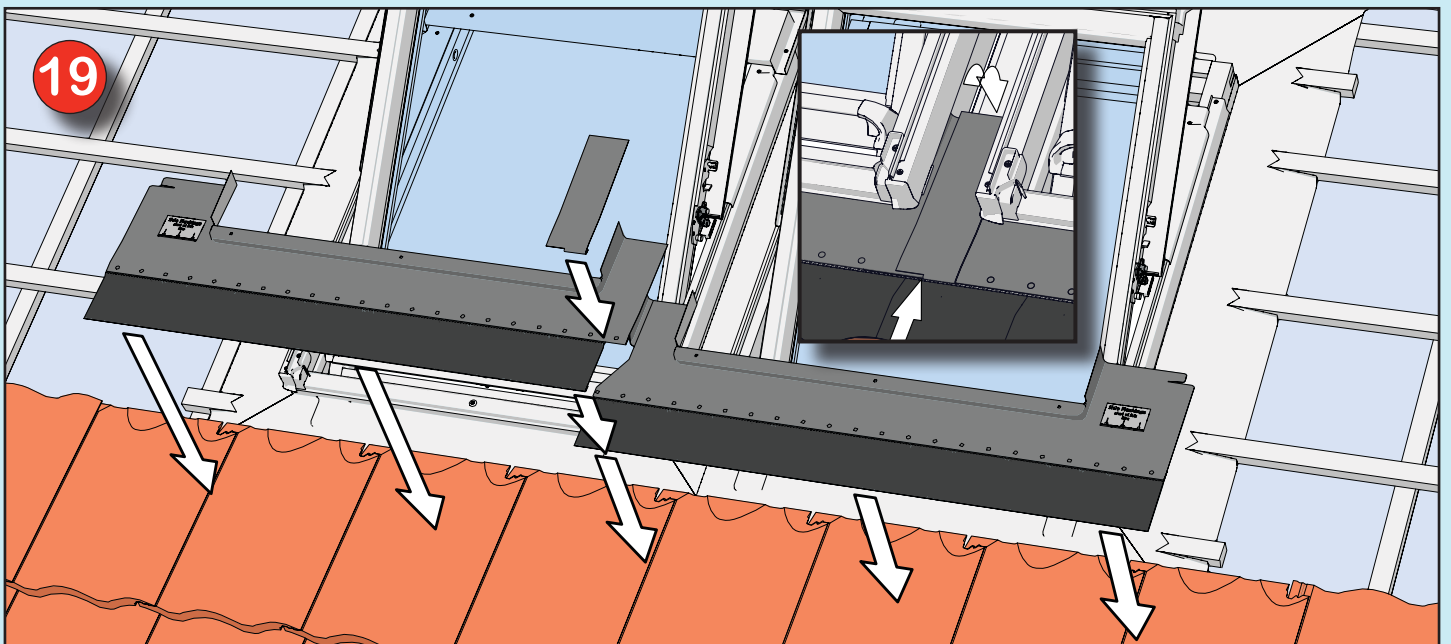
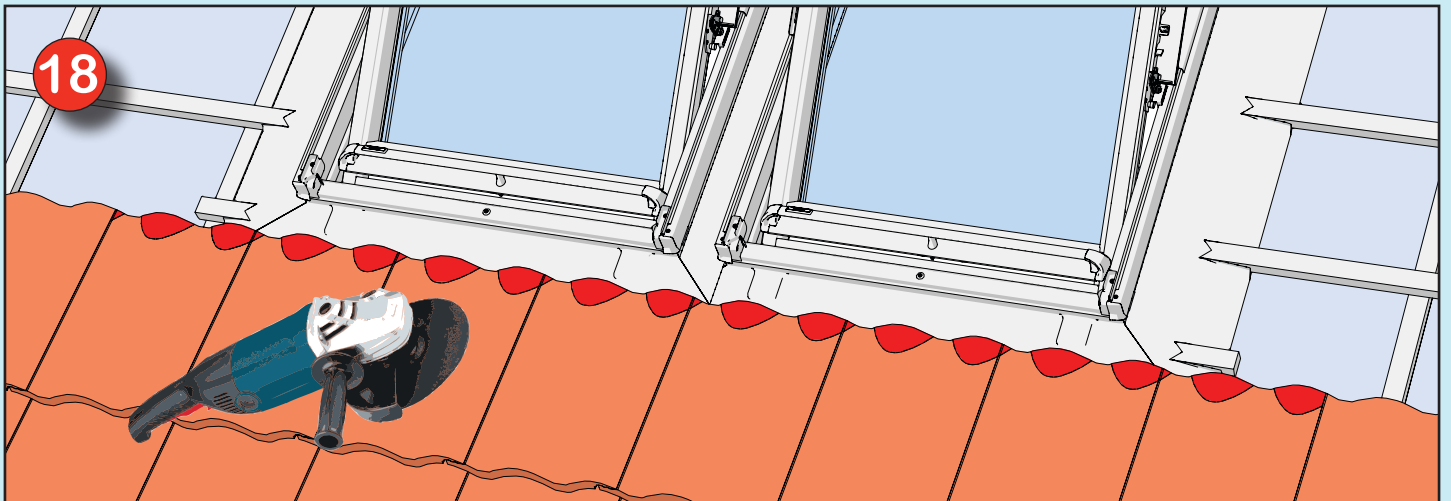
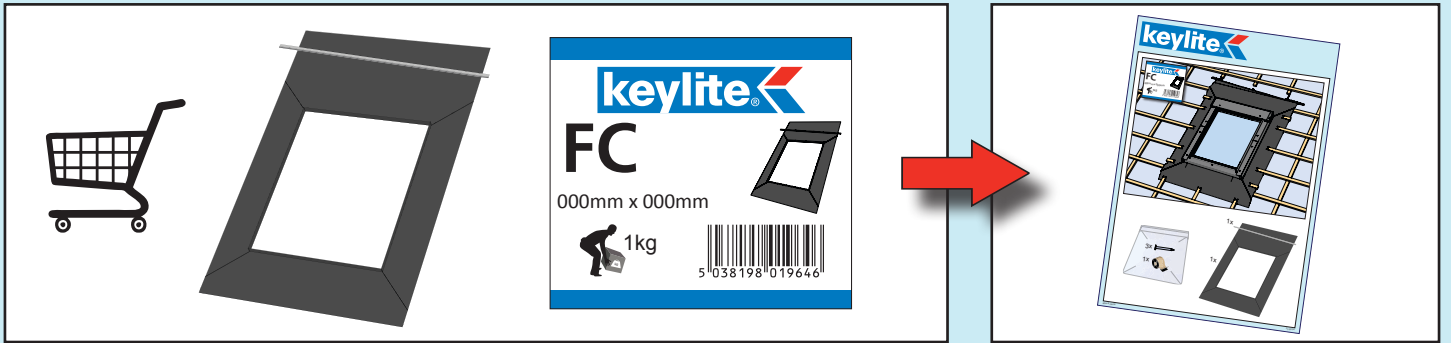
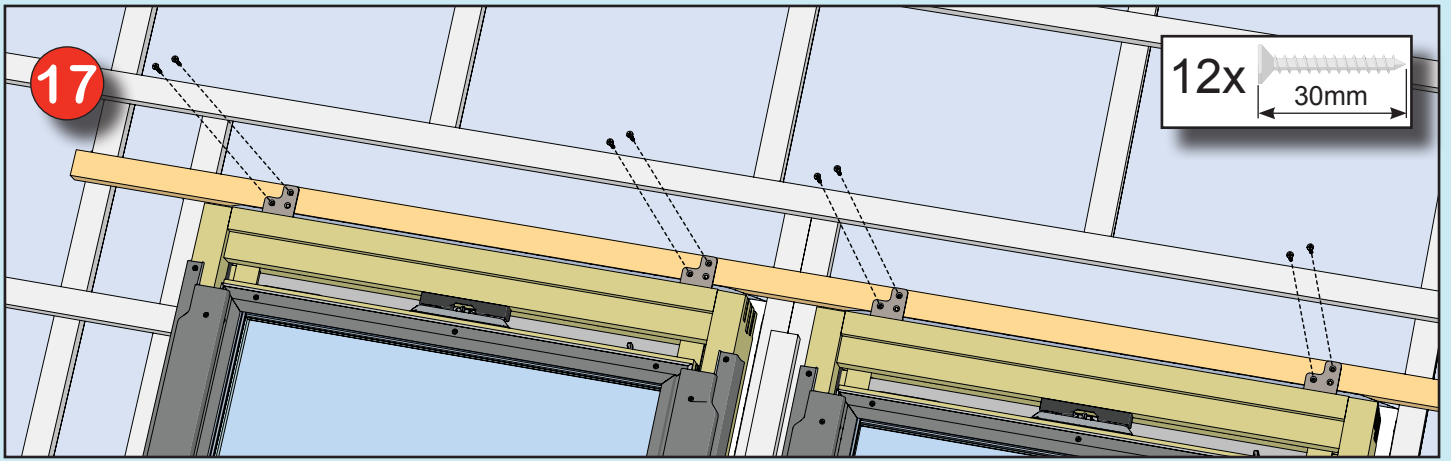


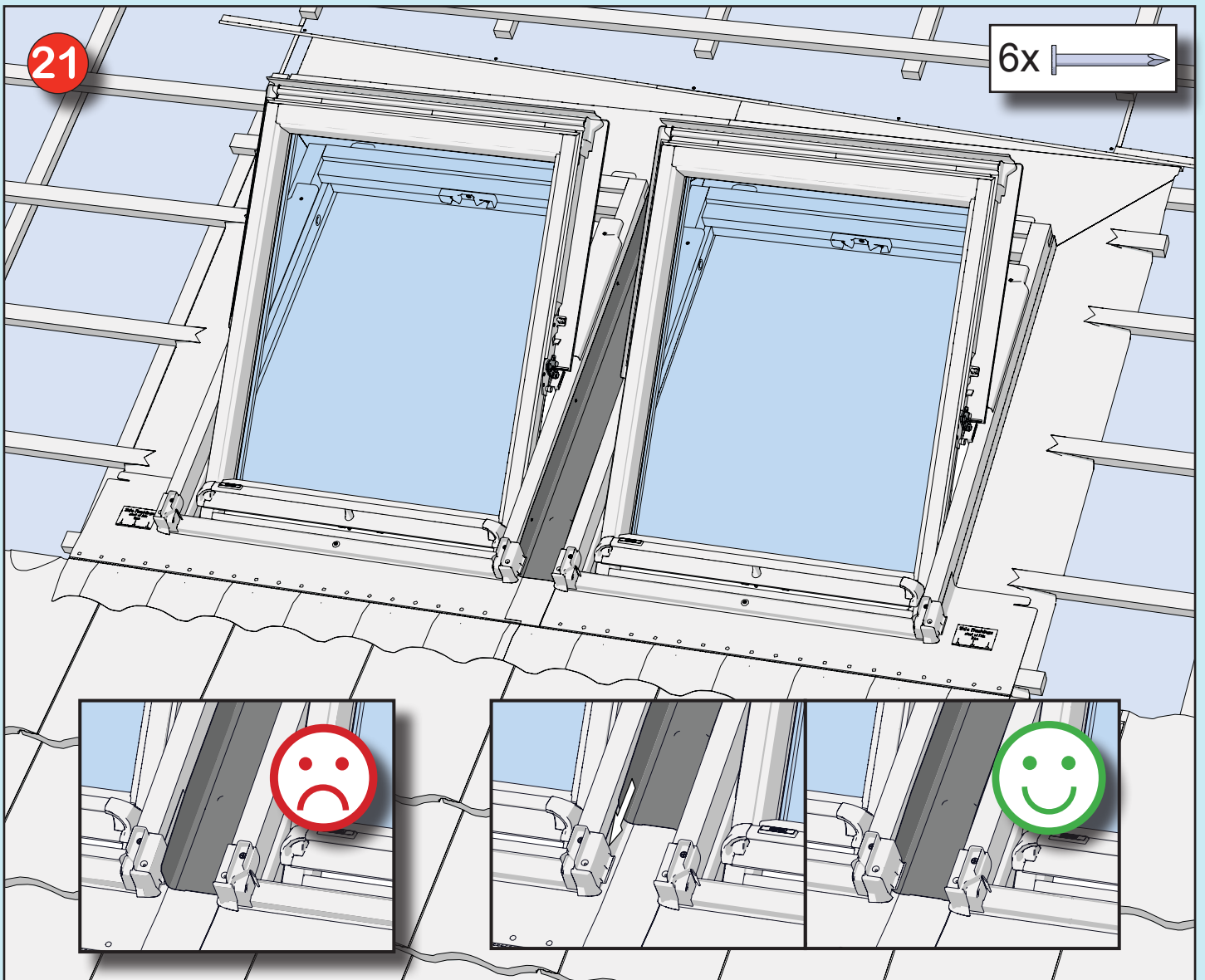
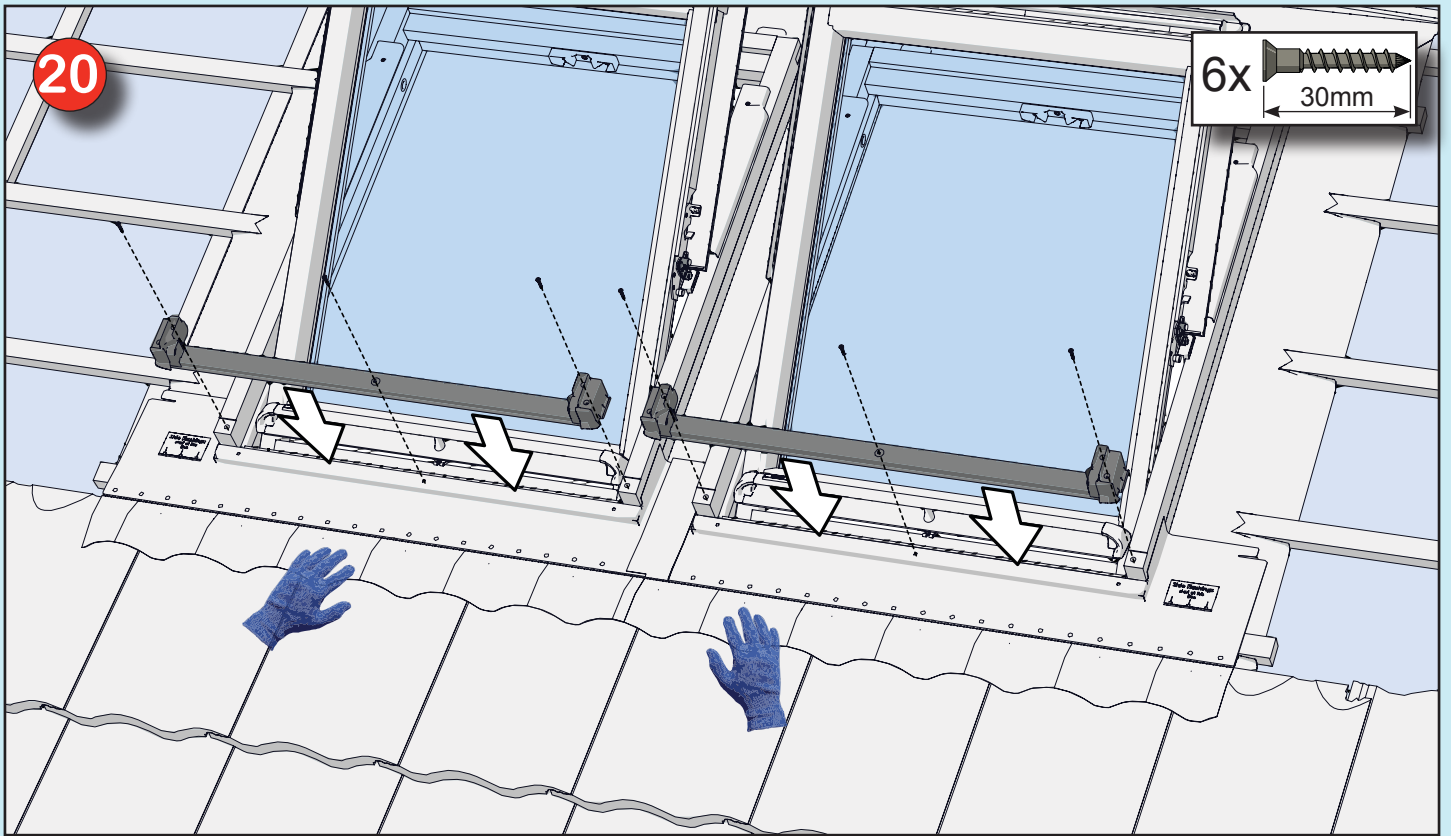






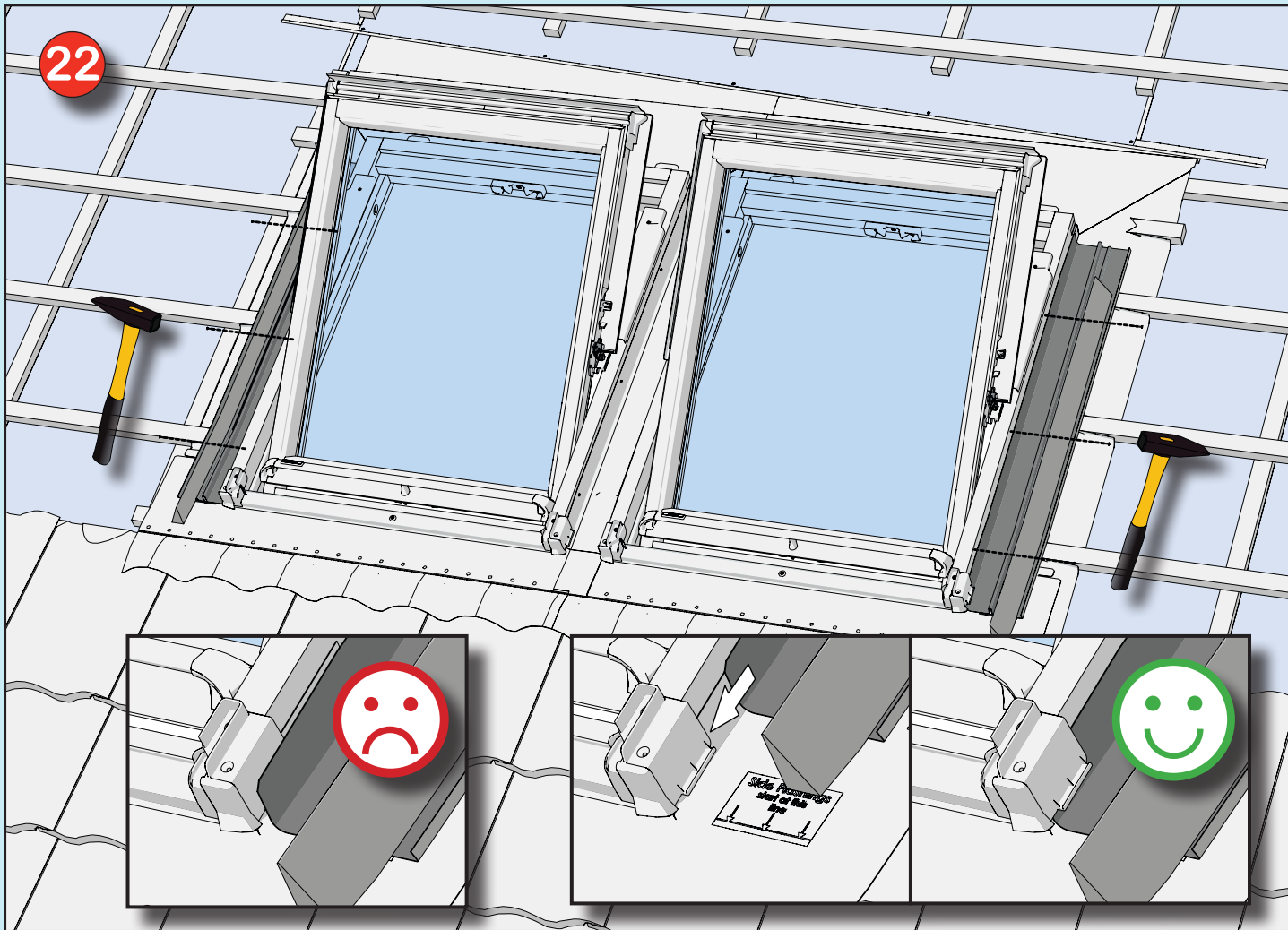




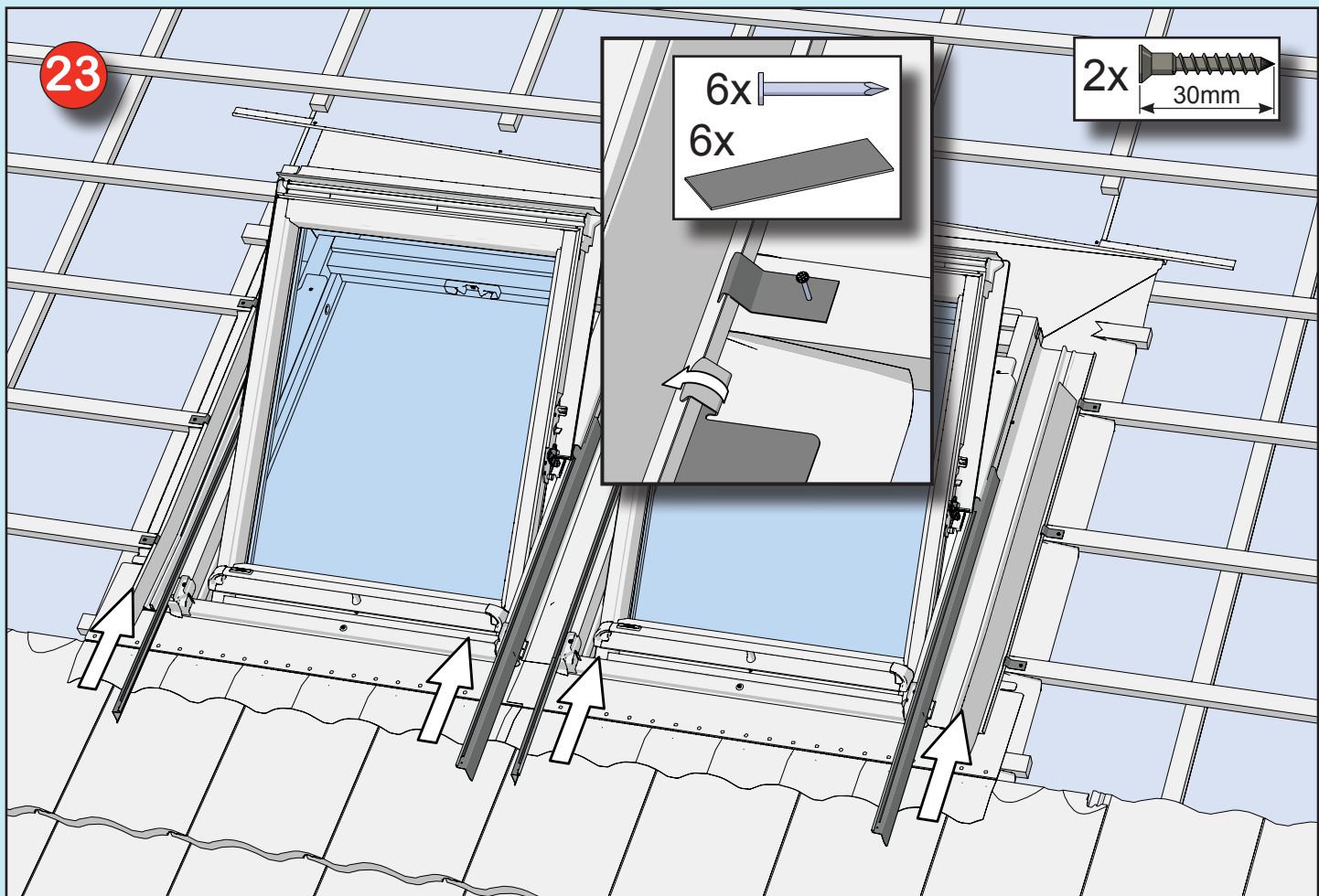


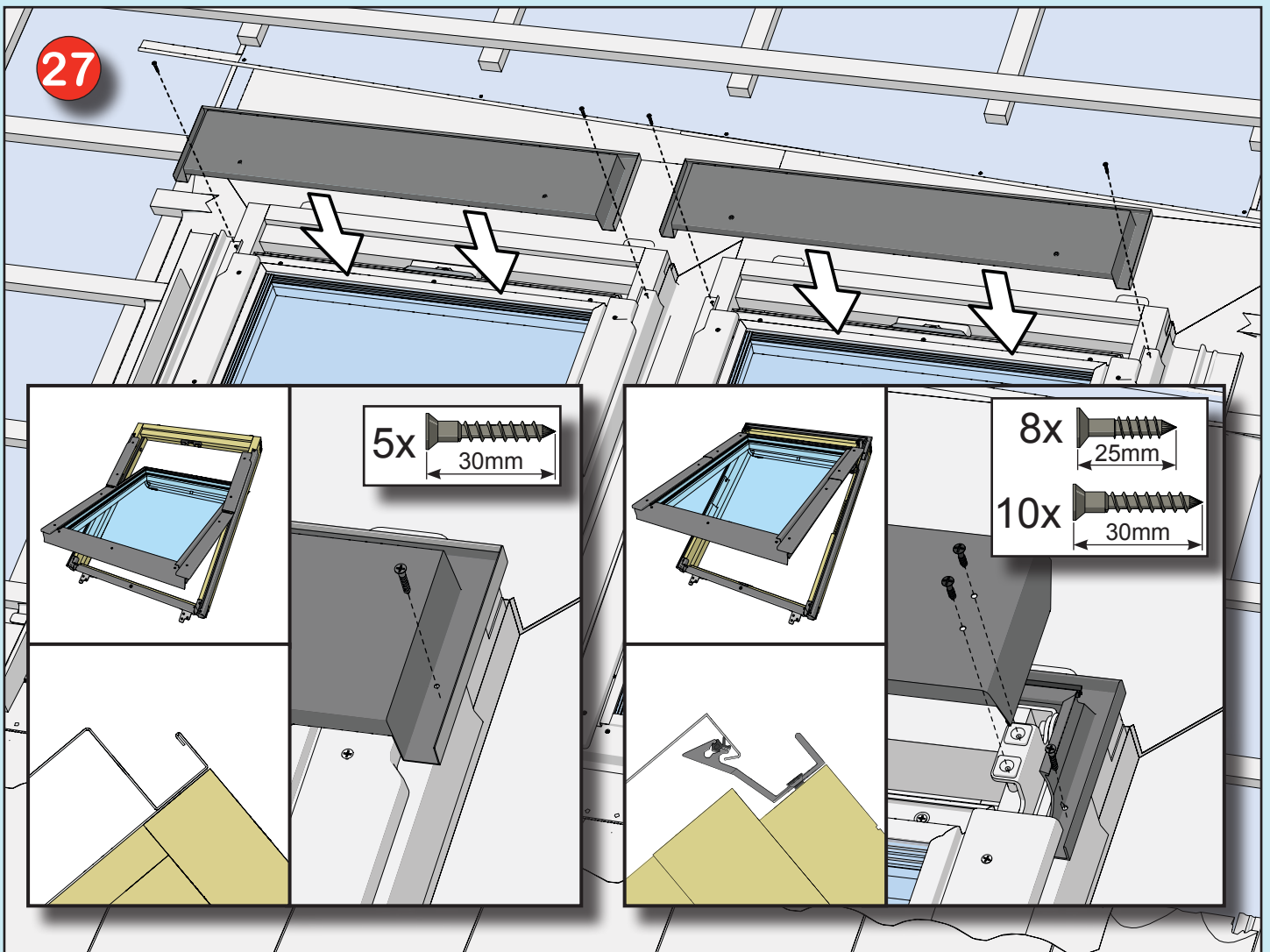
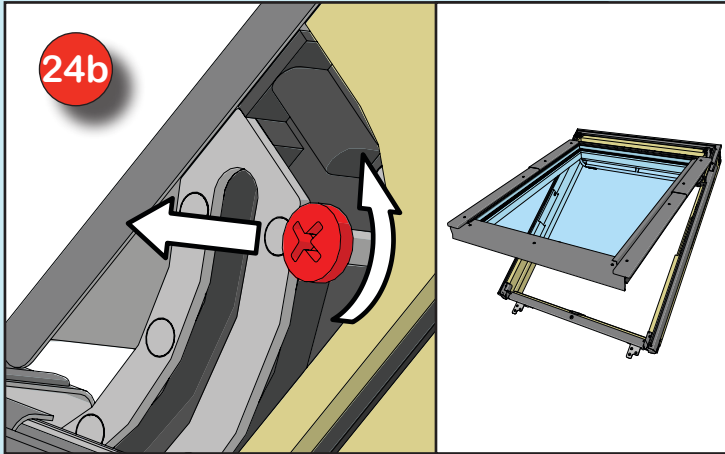
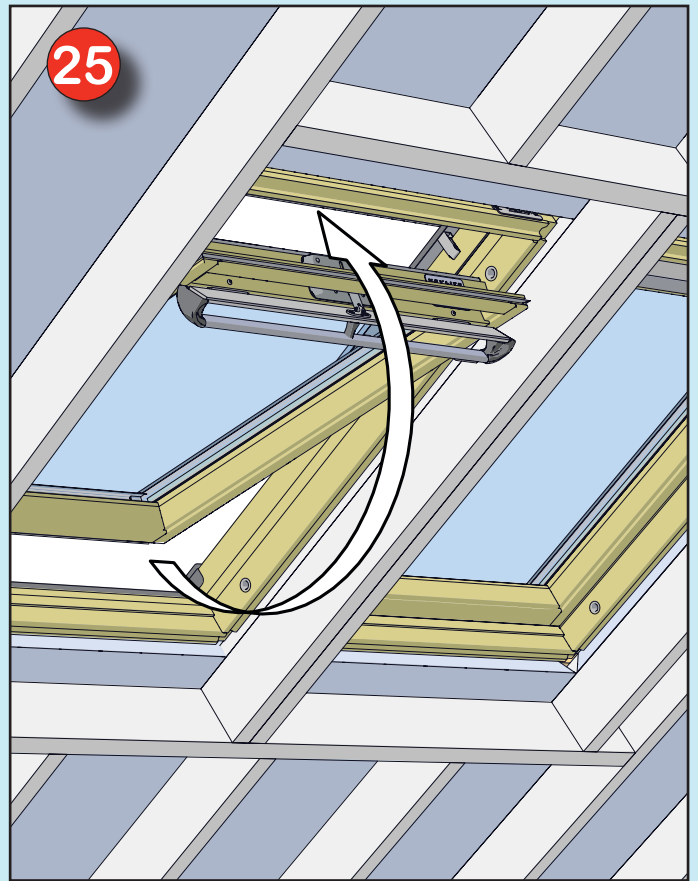
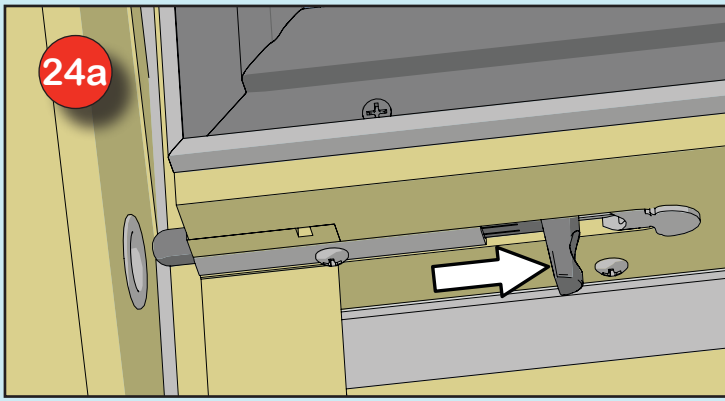


22

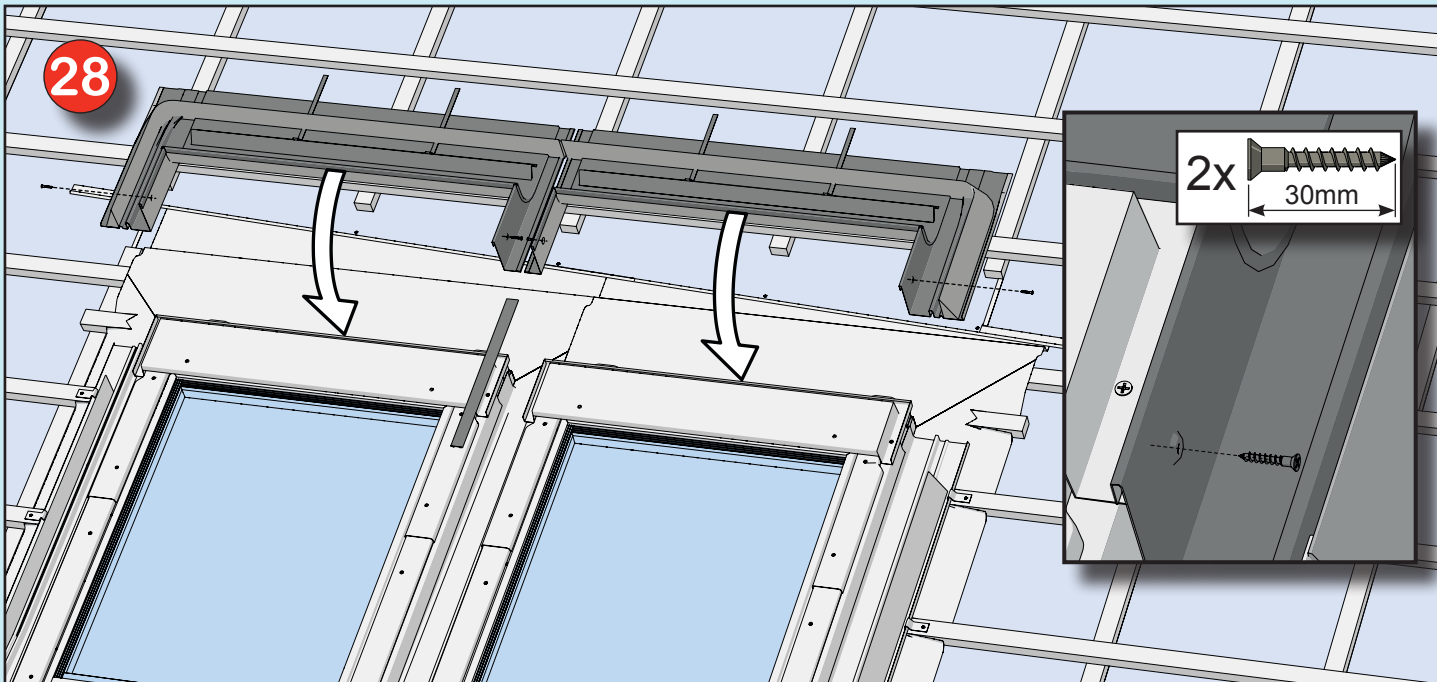


23

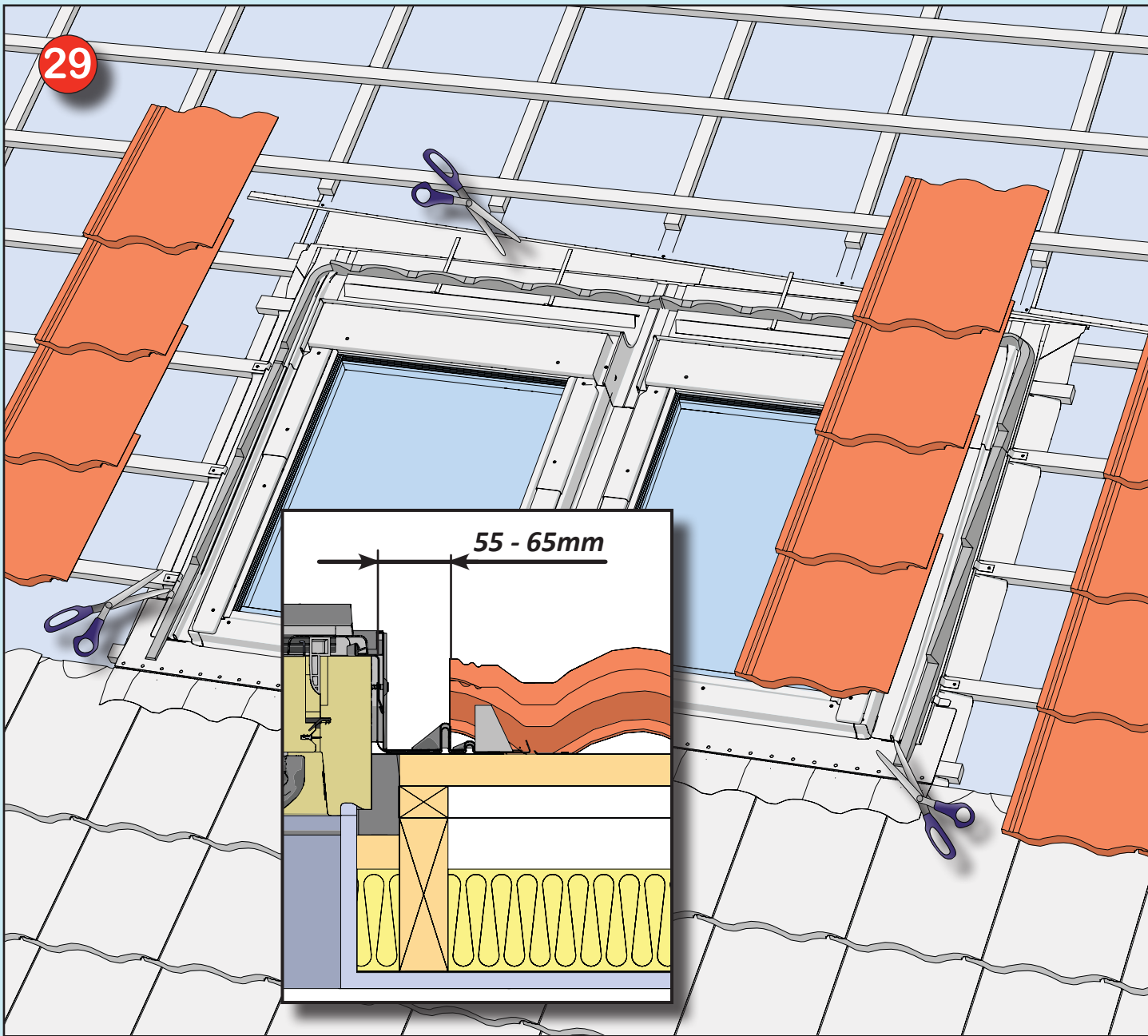




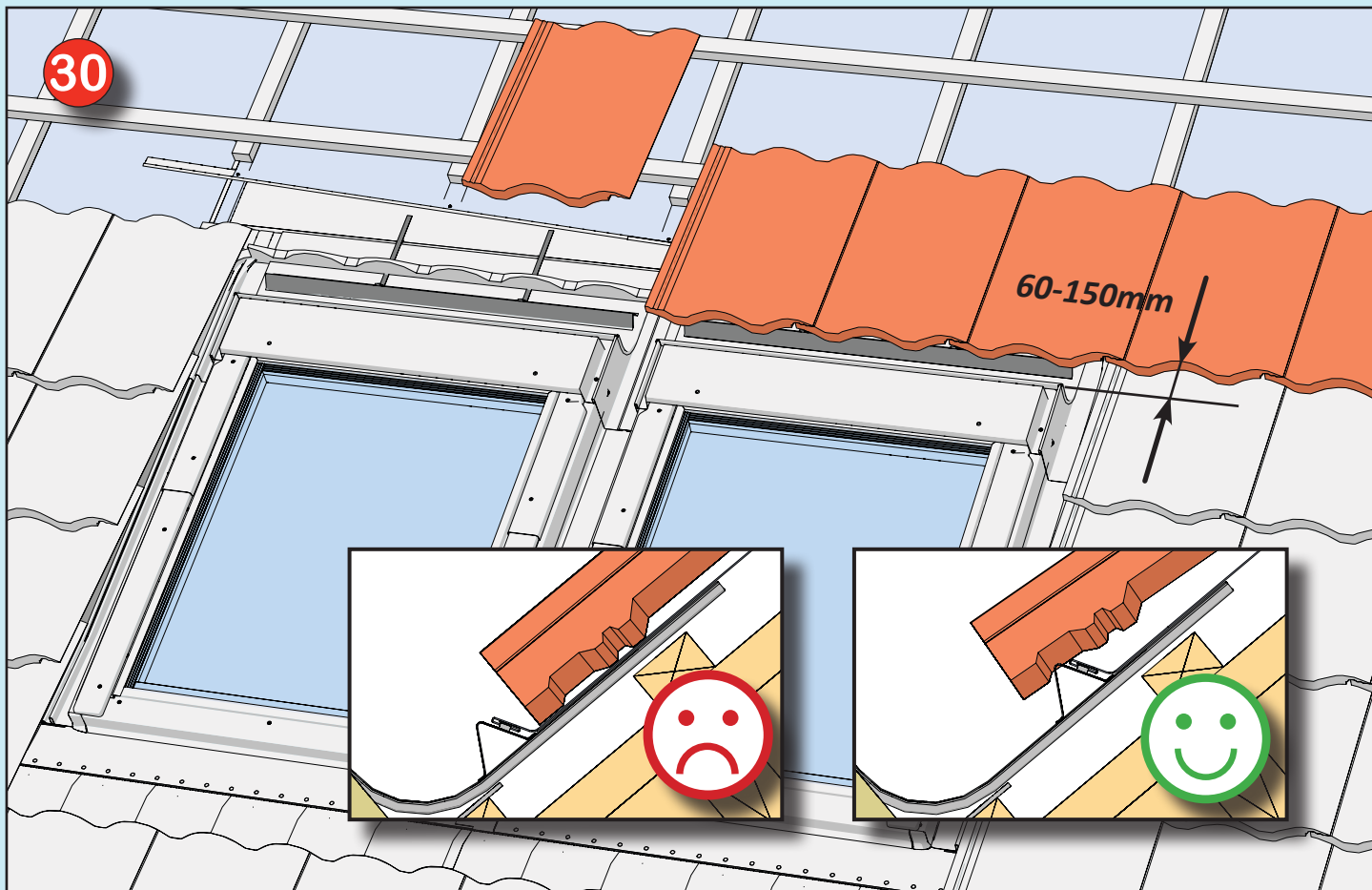
28



29



30



31

